



6.5HD2-AW-S

## 6.5 HD2-AW-L | 6.5 HD2-AW-S

### Description

The 6.5HD2-AW consists of a pair of 6.5HD-AW loudspeakers configured as a coupled splayed array to produce *more output (+6dB)* and *more vertical control* for *longer throw distances* and *greater intelligibility*.

The two *high definition, ultra-high fidelity* full range loudspeakers each feature a *6" Planar Magnetic Ribbon* and *6.5" woofer* in a true coaxial configuration. The compact, trapezoidal all weather, molded composite enclosures with an *"IP-65" rating*, were designed with unique waveguides delivering *excellent dispersion* and *fidelity*.

*True coaxial drivers* produce a *perfectly symmetrical coverage pattern* and *lower distortion* due to the alignment's acoustic filter effect. Resulting in an evenly dispersed, *audiophile-quality* sound even at the highest output levels.

The trapezoidal form factor allows the 6.5HD-AW to be used as a building block (module) that can be used for expansive custom configurations and our ultimate high fidelity, all weather, high definition line arrays.

The loudspeakers are available as either Landscape or Surface Mount, each available with its corresponding mounting accessories. Available in either 8ohm or 70V. The 70V wiring model arrives with a high-performance, custom built 70 Volt 100 Watt Toroidal Transformer, offering low insertion loss and linear response for 70V wiring.



6.5HD2-AW-L

Scan the QR Code for full instructions for this product.





Stake Mount Included



Stake Mount Included \*



Surface Mount Included \*\*

## Features

- Ultra-fast transient response and higher Instantaneous peak level for faithful signal reproduction and improved dynamic range
- Wide horizontal dispersion for excellent stereo imaging and larger listening area
- Well controlled vertical dispersion reduces floor and ceiling reflections and yields longer listening distances
- Robust, molded urethane composite enclosure for permanent outdoor installations
- All weather, waterproof drive components: stainless steel, powder coated hardware
- Unique woofer and ribbon wave guides for better dispersion and fidelity

## Landscape Mount: Features Key

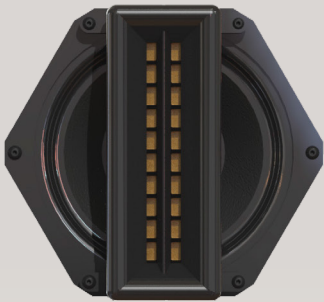
- 1 • Landscape Stake Mount, with pan & tilt (\* 6.5HD2-AW-L model only)
  - 2 • Coupling Bracket (BRK-6.5-UB) connects two 6.5HD-AW-L (Included)
  - 3 • Pigtail Connection
- 70V 100W Custom Toroidal Transformer (Optional, as the 6.5HD2-AW-L-70V model)
  - IP65 Rated & available in either Black or White

## Surface Mount: Features Key

- 3 • Aluminum Surface Mount bracket, for wall or ceiling (\*\* 6.5HD-AW-S model only)
  - 5 • Universal Mount (BRK-6.5-SM) connects two 6.5HD-AW-S (Included)
  - Pigtail Connection
- 70V 100W Custom Toroidal Transformer (Optional, as the 6.5HD-AW-S-70V model)
  - IP65 Rated & available in either Black or White



Surface Mounted



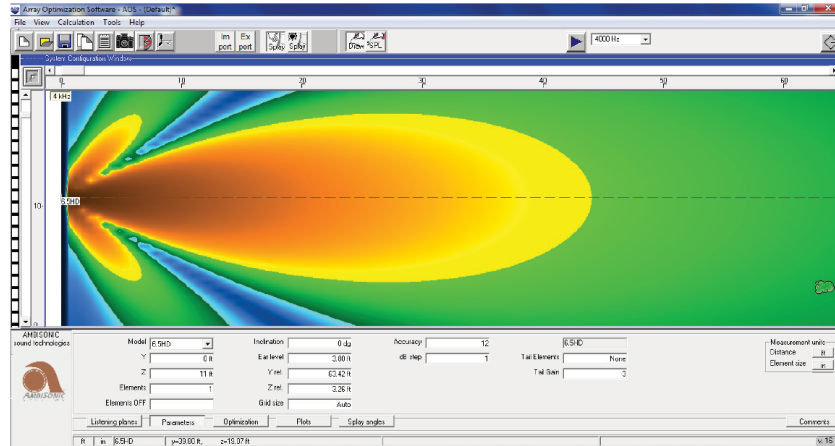
True Coaxial Drivers



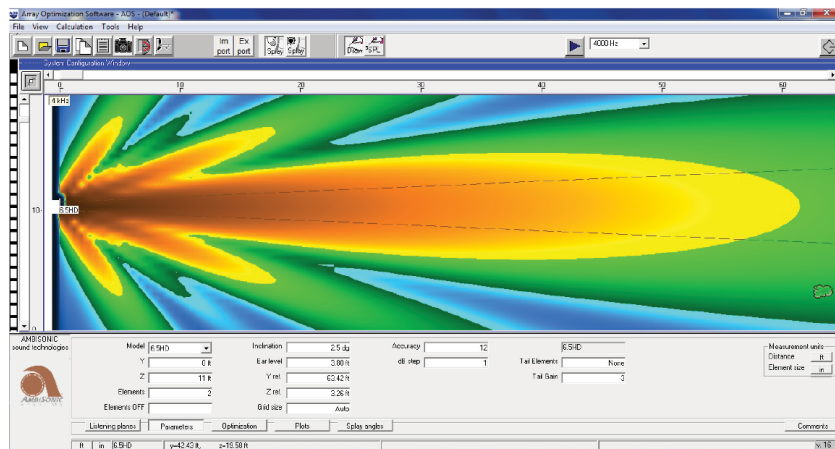
70V / 100W Toroidal Transformer

## Speaker Directivity

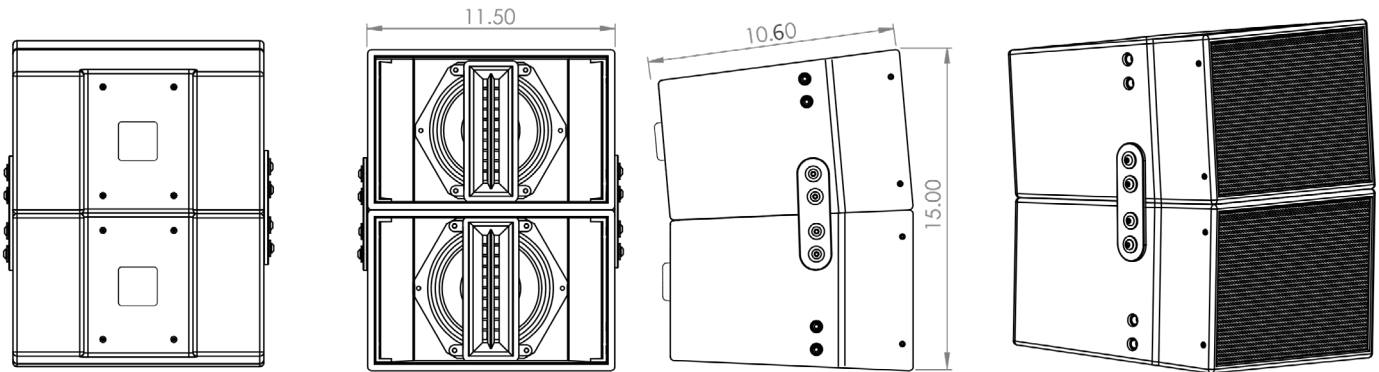
### Single 6.5HD: SPL/ Distance



### 6.5HD2-AW Coupled Splay Array: SPL/ Distance



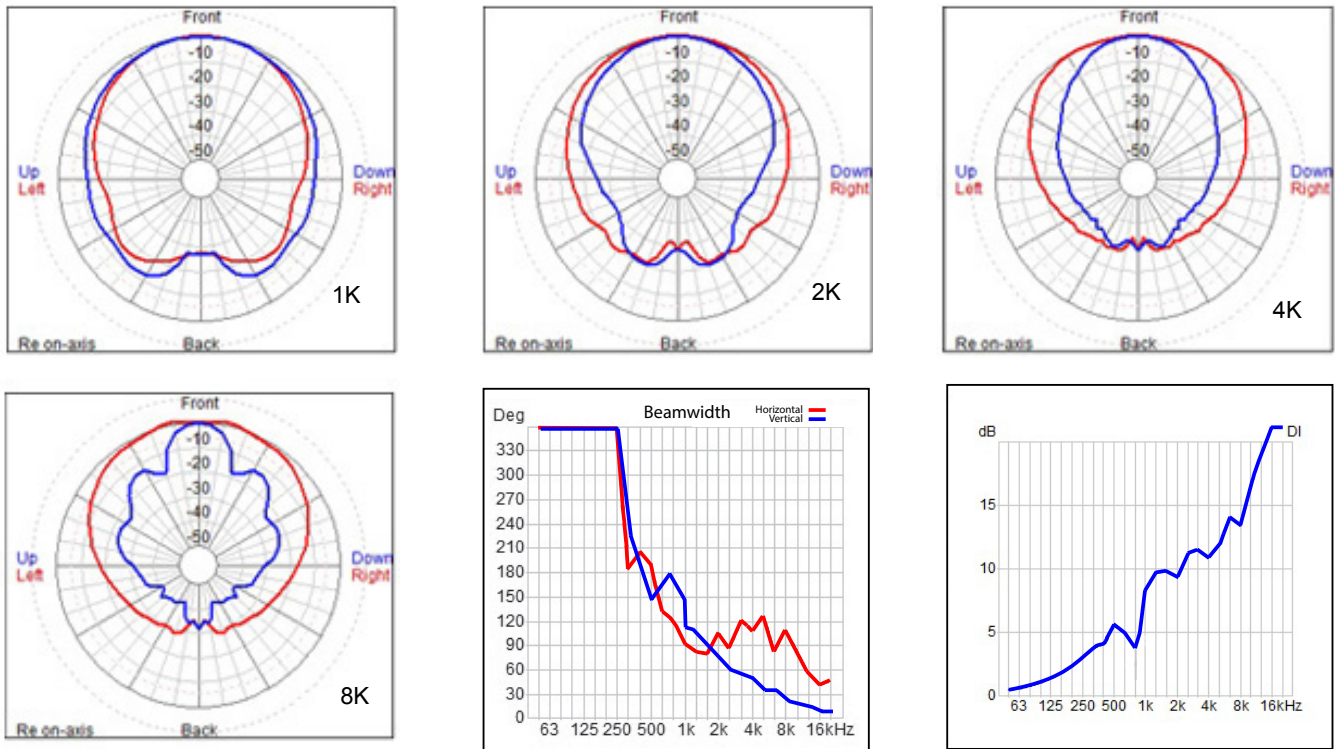
## Specifications



System Type	Hybrid Coaxial, Ribbon, Woofer, Two-Way Full Range Loudspeaker (2 x Box Coupled Splayed Array)
Driver Components	2 x All Weather 6" Ribbon Driver + 2 x 6.5" Composite Cone Woofer
Frequency Response	50 Hz - 20 kHz (-10db) 78Hz - 20kHz +/- 3dB
Maximum SPL	115dB Continuous, 121dB Peak
System Coverage	110 degree horizontal, 40 degree vertical (averaged from 1k to 8k)
Sensitivity, 2.83V @ 1m	95 dB
Power Handling	200W AES, 400W Program 800W Peak
Recommended Amplifier Power	200W - 800W (FTC) @ 4 Ω
Rated Impedance   OR   Transformer	4 Ω nominal, 3.4 Ω min @ 160Hz   OR   70V 100W Transformer
Crossover	Passive, Custom (1500 Hz)
Input Connectors	14GA x 4ft. Pigtail
Enclosure	All Weather, sealed Trapezoid Composite. IP-65 per IEC529
Mounting (Included)	Landscape Mount or Surface Mount (according to model selection)
Optional Accessories	Universal Mount Bracket (Pair) BRK-6.5-SM or BRK-6.5-UB
Dimensions (H x W x D)	15" x 11.5" x 11.8"   38cm x 29.21cm x 30cm
Weight, Net / Shipping	8Ω: 45.6Lbs (20.4kg) / 51.6Lbs (23.1kg)
Warranty	Limited 5-Year Warranty



## Speaker Directivity



## Product SKUs

### 1 • LANDSCAPE MOUNT:

70V Model: 6.5HD2-AW-L-70V-BK (Black) OR 6.5HD2-AW-L-70V-WK (White)

80OHM Model: 6.5HD2-AW-L-40HM-BK (Black) OR 6.5HD2-AW-L-40HM-WK (White)

### 2 • SURFACE MOUNT:

70V Model: 6.5HD2-AW-S-70V-BK (Black) OR 6.5HD2-AW-S-70V-WK (White)

80OHM Model: 6.5HD2-AW-S-40HM-BK (Black) OR 6.5HD2-AW-S-40HM-WK (White)