



## Ambisonic Subwoofer Collection

### Landscape Burial Subwoofer



10BP-IG-70V • 10BP-IG-8ohm

#### SPECIFICATIONS

System Type

Driver Components

Crossover

Frequency Response

Max SPL @ 1m

Sensitivity, 1m/2.83V

Power Handling

Recommended Amp Power

Impedance

Input Connectors

Enclosure

Installation

Optional Part

Dimensions (H x W x D)

Weight, Net/Shipping

Warranty

#### 10BP-IG-70V • 10BP-IG-8ohm SUBWOOFER

Compact Band-Pass In-Ground Subwoofer

10" Composite Cone All Weather Woofer

DSP LPF 80Hz – 120Hz

32Hz – 200Hz | 39 – 200Hz +/- 3dB

117dB Continuous, 122dB Peak

93dB

300W RMS, 800W Peak, Displacement Limited

300W (FTC) (70V) | 100W – 600W (FTC) (8ohm)

70V (10BP-IG-70V) | 8 Ω (10BP-IG-8ohm)

24" x 16 AWG Pigtail with Waterproof Wire Nuts

Composite Roto-Mold

In-Ground, Recommended Depth 13" (33cm) to 17" (43cm)

In-Ground 300W 70V Transformer (Part #JB1300)

24.17" x 12.8" x 12.8" (61.4cm x 32.5cm x 32.5cm)  
& 9.4" (24cm) Canopy

25.6Lbs (11.6Kg) | 38.5Lbs (17.5Kg)

Limited 5 Year Warranty

\*All product specifications are subject to change. Please refer to [ambisonicsystems.com](http://ambisonicsystems.com) for latest information.

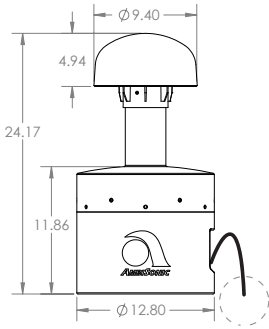


Scan the QR Code for full instructions for this product.

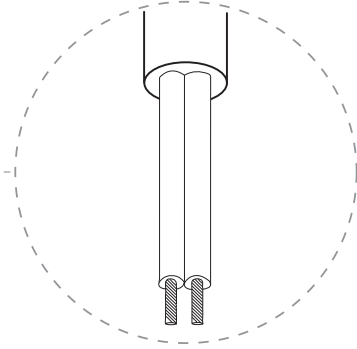
## 80hm Wiring



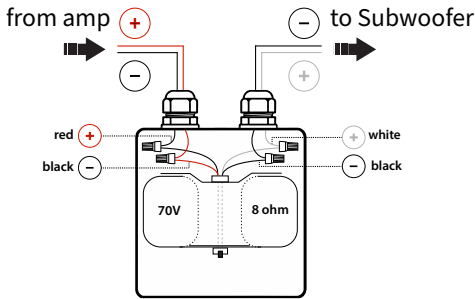
Includes a pair of silicon filled wire nuts for the connection



RED wire is positive  
BLACK wire is negative



## 70V Wiring (Using JB1300)



## TECHNICAL ASSISTANCE

Please refer to [ambisonicsystems.com](http://ambisonicsystems.com) for the full installation guidelines. If you have any questions or concerns about installing or using this product, you can reach us through one of the following methods:

Phone: (844) 674 - 4461

Hours of operation: 8:00am - 5:00pm (Pacific Time), Mon - Fri

Email: [sales@originacoustics.com](mailto:sales@originacoustics.com)



05-03-24

6975 S Decatur Blvd, Las Vegas, NV 89118 • [www.ambisonicsystems.com](http://www.ambisonicsystems.com) • 844-674-4461 • [info@ambisonicsystems.com](mailto:info@ambisonicsystems.com)

©2024 Ambisonic Systems. All copyrighted, trademarked and patented elements mentioned herein are the sole property of Ambisonic Systems.