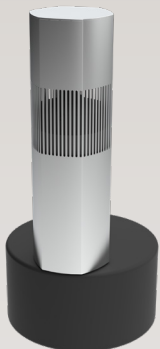
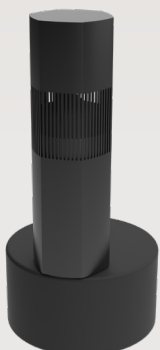


ALSB85CH



ALSB85S



ALSB85BL

ALSB85CH • ALSB85S • ALSB85BL

Description

This Ambisonic Bollard Collection is the latest in luxury outdoor listening: a combination of the latest in high performance audio, unparalleled design, and construction. These are engineered to give you years of listening satisfaction and pleasure; the ported composite enclosure, and all components, are designed to withstand the harshest of environmental conditions in any permanent landscape installation.

Available in 3 sizes, you can select the optimum visual and acoustic impact required for any outdoor setting. Each comes with a high definition conical ribbon tweeter, offering **360° dispersion**, so your backyard, patio and pool areas will come alive with incredible clarity and detailed sound. Meanwhile, the integrated burial subwoofer delivers the punch, impact and clean tight bass necessary for the outdoors, perfectly complimenting the higher frequencies with the low.

Our Landscape Bollard 8 is the middle sized entry of the collection. It offers a tall and elegant frame that integrates well into landscaping, yet still features a **powerful 8" burial subwoofer**, an additional **5 ¼" mid-range**, and lastly, in true Ambisonic style, an iconic **1" high definition conical ribbon tweeter**.

The Landscape Bollard 8 is made to measure a **sleek 22" height above ground**, with all weather hexagonal exterior sleeves obtainable in **3 colors**: Champagne, Stargazing Silver, and Midnight Black.

Scan the QR Code for full instructions for this product.



Conical Ribbon Driver

The Landscape Bollard 8's highly efficient conical ribbon driver features an ultra-sensitive aluminum diaphragm, energized by a neodymium motor, capable of accentuating your audio signals into the ultimate high fidelity reproduction, with minimal distortion.

Designed and constructed to project sound longer distances, it ensures those deeply important key transients and higher frequency nuances, for a powerful 360° outdoor sound immersion experience.



Feature

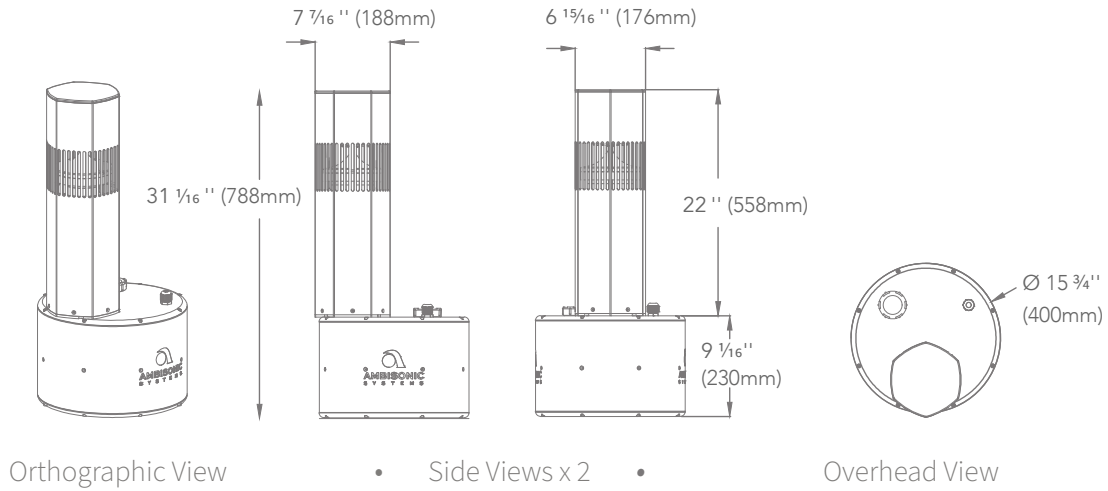
1. • High Definition Conical Ribbon Tweeter

Specifications

MODEL	ALSB85CH • ALSB85S • ALSB85BL
COLOR	Champagne • Stargazing Silver • Midnight Black
Woofer	8" (203mm) Polypropylene Woofer
Midrange	5 ¼" (133mm) Polypropylene Midrange
Tweeter	1" (25mm) HD Aluminum Conical Ribbon Tweeter
Frequency Response	48HZ - 20KHZ
Power RMS	100W 50W
Power	200W 100W (Program) 400W 200W (Peak)
Impedance	6 Ω (Sub) / 6 Ω (Sat)
Transformer Taps	Selectable LoZ, or 70V: 100W Subwoofer 50W Midrange 100V: 100W Subwoofer 50W Midrange
Subwoofer Enclosure	Ø 15 ¾" (400mm) • 9 ½" (230mm) Depth
Sleeve Dimensions	7 7/16" x 6 15/16" (188 x 176mm) Hexagonal Widths 22" (558mm) Height (includes 5mm sleeve base)
Total Height	31 1/16" (788mm)
Enclosure Material	Poly Composite, Weather Resistant Enclosure

*All product specifications are subject to change. Please refer to ambisonicsystems.com for latest information.

Line Drawings



*All product specifications are subject to change. Please refer to ambisonicsystems.com for latest information.