



Composite Construction



Planar Ribbon Driver



Optional Mounting

LSR40 (70V | 8Ω)

Description

Introducing our smallest speaker in the LSR Series, the LSR40 is an all-weather outdoor loudspeaker equipped with a *weatherized, 1" round magnetic ribbon driver/waveguide assembly* (patent pending), in coaxial alignment with a *3½" high fidelity woofer*, featuring a *glass fiber cone* and *rubber surround* for extreme resistance to the elements. The LSR40 delivers impressively transparent sound quality, previously unavailable in an outdoor satellite loudspeaker of this size. Additionally, it features a *six-wire pigtail for wiring in either a 70V or 8Ω capability*.

Features

- 3½" Glass Fiber Cone Woofer
- 1" Planar Magnetic Ribbon Driver/Waveguide Assembly (Patent Pending)
- Ultra-fast transient response and higher instantaneous peak level for faithful signal reproduction and improved dynamic range
- Coaxial design for wide dispersion, excellent stereo imaging and larger listening area
- LSR40 is equipped with a custom built 70V | 50W low loss, linear response Toroidal Transformer
- Color-molded composite construction won't chip, peel or fade over time
- Part of a scalable system designed to suit any sized space

Scan the QR Code for full instructions for this product.



Features

1. Optional LSTM Surface Mount
 2. Optional LSLs Spike Mount
 3. Optional LFSM Tree Mount
- Standard 1/2 NPT for multiple mounting solutions
(Exterior walls, under eaves, on pillars, in trees or just about anywhere)
 - Six Wire Pigtail for 70V or 8Ω wiring. Prewired for 70V.

Round Planar Ribbon Driver

You'll need to hear to believe our highly efficient planar ribbon driver, featuring a high-performance, audiophile-grade, weatherized ribbon tweeter, energized by a neodymium motor. Capable of accentuating your audio signal into the ultimate high fidelity reproduction, and designed to bring to life those important key transients and higher frequency nuances for a stunningly powerful, outdoor sound immersion experience; it promises crystal clear, wide dispersion sound yet minimal distortion at high volumes.

Specifications

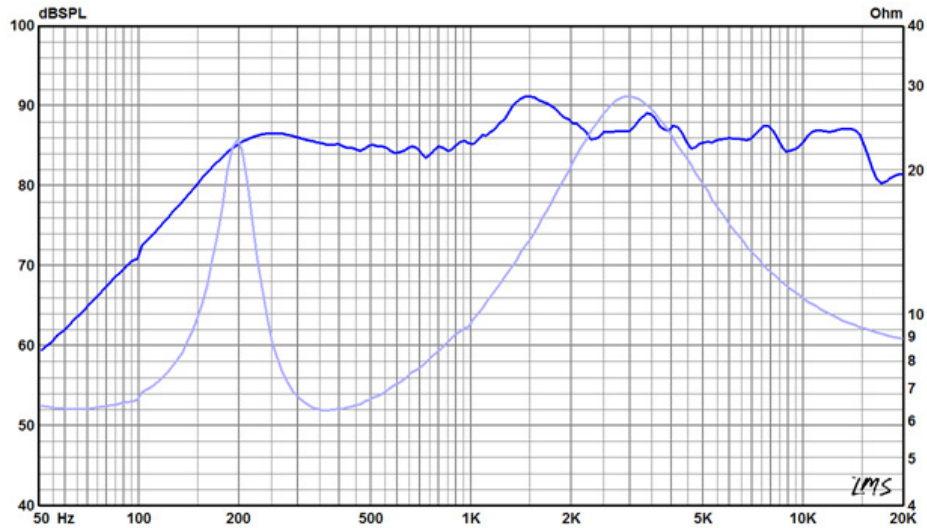
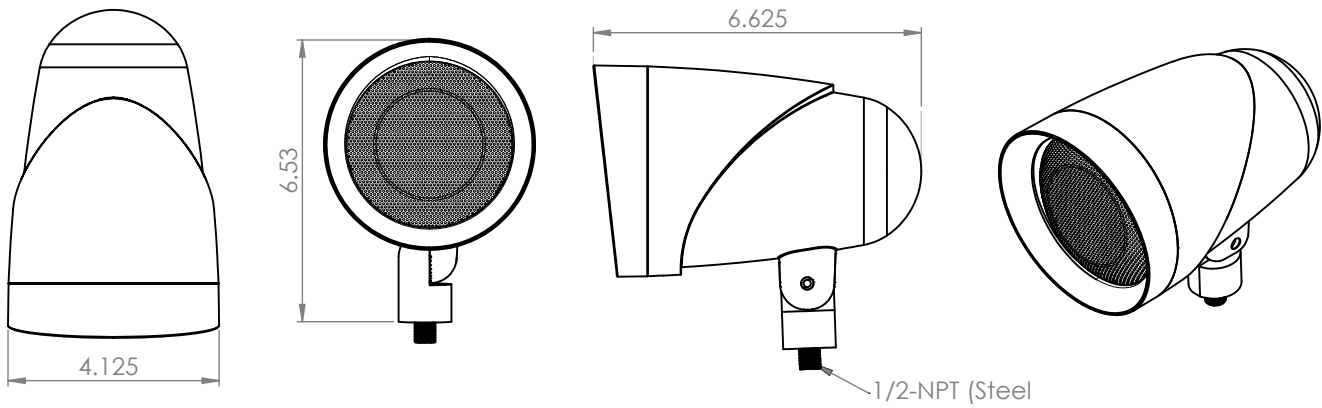
SPECIFICATIONS	LSR40
System Type	Ribbon Equipped Landscape Satellite Loudspeaker
Driver Components	All-Weather 3 1/2" Glass Fiber Cone Woofer 1" Round Planar Magnetic Ribbon Driver
Frequency Response	110Hz - 20kHz (-10db) 150Hz - 20kHz (+/- 3db)
Max SPL @ 1m	102dB Continuous, 108dB Peak
System Coverage	120° Conical
Sensitivity, 1m/2.83V	85 dB
Power Handling	50W RMS
Impedance Transformer	8 Ohm 70 Volt / 50W Transformer
Input Connectors	24" x 14 AWG Pigtail with Waterproof Wire-nuts
Enclosure Material	Color-molded Composite
Satellite Dimensions	6.53" H x 4.13" W x 6.63" L (166 mm H) x (105 mm W) x (168 mm L)



LSR40 prewired for 70V.

*All product specifications are subject to change. Correct as of 11-02-23. Please refer to ambisonicsystems.com for latest information.

Line Drawings



* AVERAGE RESPONSE: Within the listening window

*All product specifications are subject to change. Correct as of 11-02-23. Please refer to ambisonicsystems.com for latest information.



Composite Construction



Planar Ribbon Driver



Optional Mounting

LSR60 (70V | 8Ω)

Description

Ambisonic's LSR60 is an all-weather outdoor loudspeaker equipped with a *weatherized, 2.8" magnetic ribbon driver/waveguide assembly* (patent pending), in coaxial alignment with a *5¼" high fidelity woofer*, featuring a *glass fiber cone* and *rubber surround* for extreme resistance to the elements. The LSR60 delivers impressively transparent sound quality, previously unavailable in an outdoor satellite loudspeaker. Additionally, it features a *six-wire pigtail for wiring in either a 70V or 8Ω capability*.

Features

- 5¼" Glass Fiber Cone Woofer
- 2.8" Planar Magnetic Ribbon Driver/Waveguide Assembly (Patent Pending)
- Ultra-fast transient response and higher instantaneous peak level for faithful signal reproduction and improved dynamic range
- Coaxial design for wide dispersion, excellent stereo imaging and larger listening area
- LSR60 is equipped with a custom built 70V | 75W low loss, linear response Toroidal Transformer
- Color-molded composite construction won't chip, peel or fade over time
- Part of a scalable system designed to suit any sized space

Scan the QR Code for full instructions for this product.



Features

1. Optional LSTM Surface Mount
 2. Optional LSLs Spike Mount
 3. Optional LSFm Tree Mount
- Standard 1/2 NPT for multiple mounting solutions
(Exterior walls, under eaves, on pillars, in trees or just about anywhere)
 - Six Wire Pigtail for 70V or 8Ω wiring. Prewired for 70V.

Planar Ribbon Driver

You'll need to hear to believe our highly efficient planar ribbon driver, featuring a high-performance, audiophile-grade, weatherized ribbon tweeter, energized by a neodymium motor. Capable of accentuating your audio signal into the ultimate high fidelity reproduction, and designed to bring to life those important key transients and higher frequency nuances for a stunningly powerful, outdoor sound immersion experience; it promises crystal clear, wide dispersion sound yet minimal distortion at high volumes.

Specifications

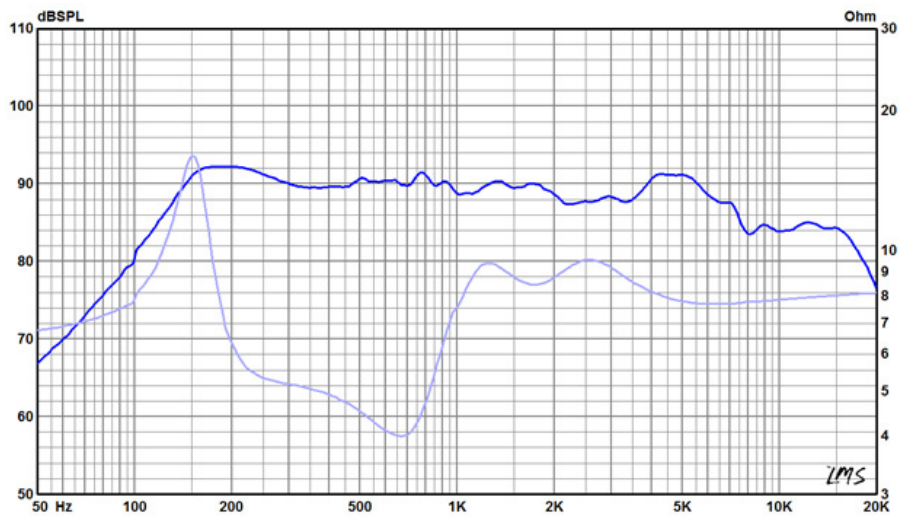
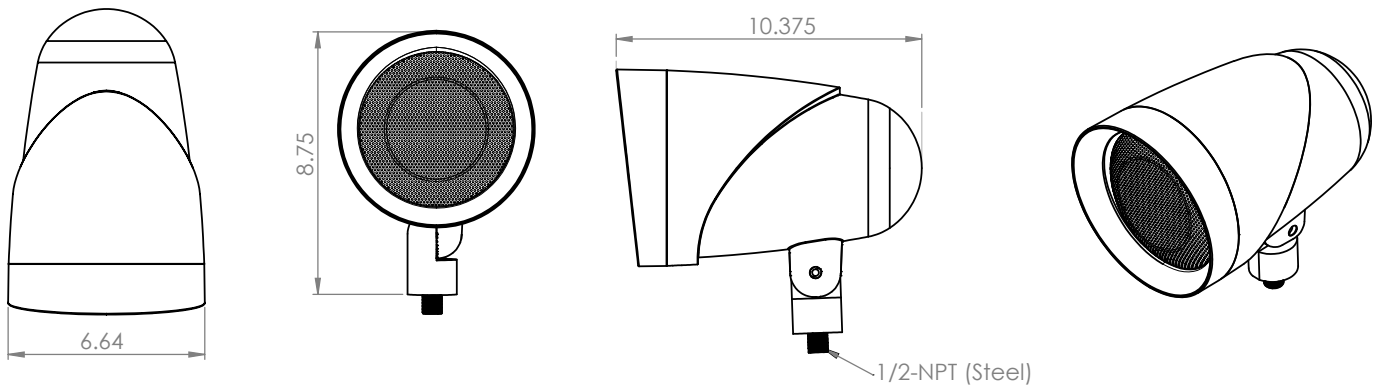
SPECIFICATIONS	LSR60
System Type	Ribbon Equipped Landscape Satellite Loudspeaker
Driver Components	All-Weather 5 1/4" Glass Fiber Cone Woofer 2.8" Planar Magnetic Ribbon Driver
Frequency Response	95Hz - 20kHz (-10db) 125Hz - 20kHz (+/- 3db)
SPL	106dB Continuous, 112dB Peak
System Coverage	110° Horizontal 80° Vertical
Sensitivity, 1m/2.83V	88dB
Power Handling	75W RMS
Impedance Transformer	8 Ohm 70 Volt / 75W Transformer
Input Connectors	24" x 14 AWG Pigtail with Waterproof Wire-nuts
Enclosure Material	Color-molded Composite
Satellite Dimensions	8.75" H x 6.64" W x 10.38" L (222 mm H) x (168mm W) x (263 mm L)



LSR60 prewired for 70V.

*All product specifications are subject to change. Please refer to ambisonicsystems.com for latest information.

Line Drawings



*AVERAGE RESPONSE: Within the listening window

*All product specifications are subject to change. Please refer to ambisonicsystems.com for latest information.



Composite Construction



Planar Ribbon Driver



Optional Mounting

LSR80 (70V | 8Ω)

Description

Our largest speaker in the LSR Series, the LSR80 is an all-weather outdoor loudspeaker equipped with a *weatherized, 3.1" magnetic ribbon driver/waveguide assembly* (patent pending), in coaxial alignment with a *6" high fidelity woofer*, featuring a *glass fiber cone* and *rubber surround* for extreme resistance to the elements. The LSR80 delivers impressively transparent sound quality, previously unavailable in an outdoor satellite loudspeaker. Additionally, it features a *six-wire pigtail for wiring in either a 70V or 8Ω capability*.

Features

- 6" Glass Fiber Cone Woofer
- 3.1" Planar Magnetic Ribbon Driver/Waveguide Assembly (Patent Pending)
- Ultra-fast transient response and higher instantaneous peak level for faithful signal reproduction and improved dynamic range
- Coaxial design for wide dispersion, excellent stereo imaging and larger listening area
- LSR80 is equipped with a custom built 70V | 100W low loss, linear response Toroidal Transformer
- Color-molded composite construction won't chip, peel or fade over time
- Part of a scalable system designed to suit any sized space

Scan the QR Code for full instructions for this product.



Features

1. Optional LSTM Surface Mount
 2. Optional LSLs Spike Mount
 3. Optional LSFm Tree Mount
- Standard 1/2 NPT for multiple mounting solutions
(Exterior walls, under eaves, on pillars, in trees or just about anywhere)
 - Six Wire Pigtail for 70V or 8Ω wiring. Prewired for 70V.

Planar Ribbon Driver

You'll need to hear to believe our highly efficient planar ribbon driver, featuring a high-performance, audiophile-grade, weatherized ribbon tweeter, energized by a neodymium motor. Capable of accentuating your audio signal into the ultimate high fidelity reproduction, and designed to bring to life those important key transients and higher frequency nuances for a stunningly powerful, outdoor sound immersion experience; it promises crystal clear, wide dispersion sound yet minimal distortion at high volumes.

Specifications

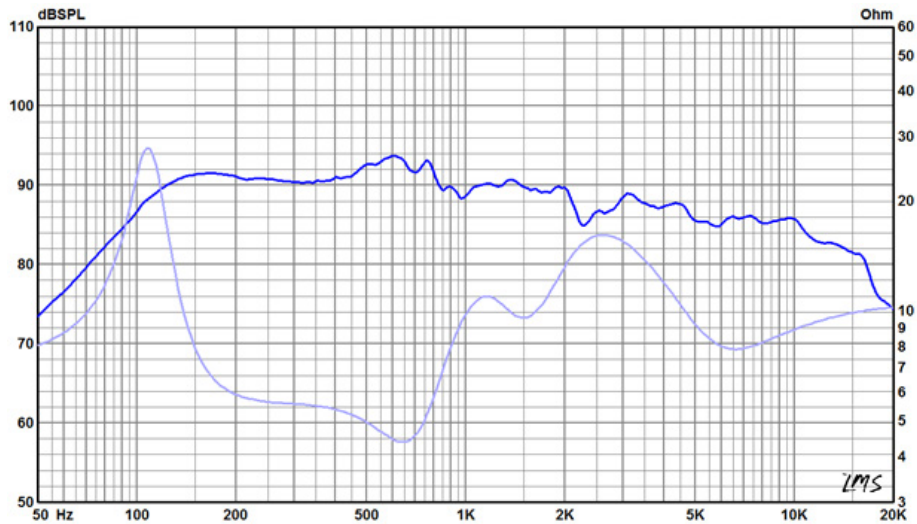
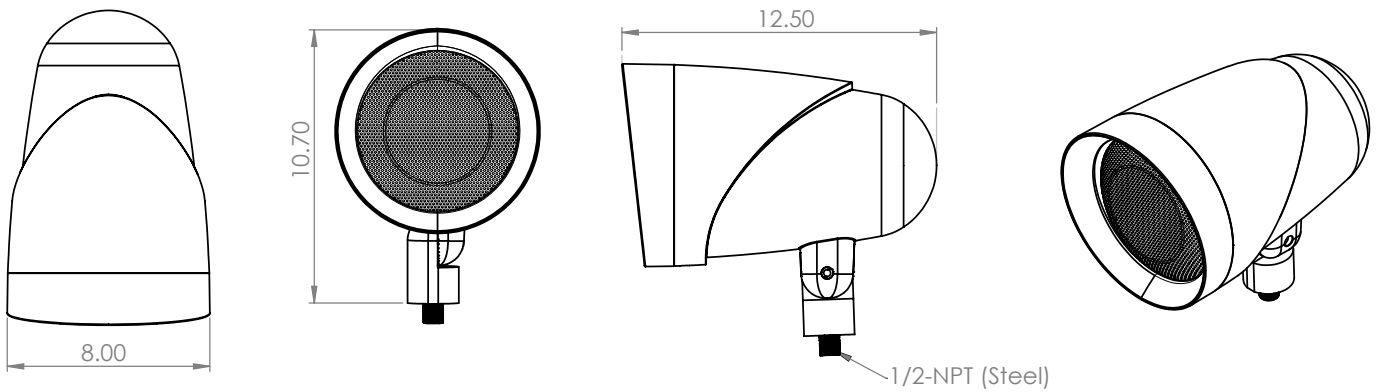
SPECIFICATIONS	LSR80
System Type	Ribbon Equipped Landscape Satellite Loudspeaker
Driver Components	All-Weather 6" Glass Fiber Cone Woofer 3.1" Planar Magnetic Ribbon Driver
Frequency Response	70Hz - 20kHz (-10db) 100Hz - 20kHz (+/- 3db)
SPL	109dB Continuous, 115dB Peak
System Coverage	100° Horizontal 60° Vertical
Sensitivity, 1m/2.83V	89dB
Power Handling	100W RMS
Impedance Transformer	8 Ohm 70 Volt / 100W Transformer
Input Connectors	24" x 14 AWG Pigtail with Waterproof Wire-nuts
Enclosure Material	Color-molded Composite
Satellite Dimensions	10.70" H x 8" W x 12.50" L (272 mm H) x (203 mm W) x (318 mm L)



LSR80 prewired for 70V.

*All product specifications are subject to change. Please refer to ambisonicsystems.com for latest information.

Line Drawings



*AVERAGE RESPONSE: Within the listening window

*All product specifications are subject to change. Please refer to ambisonicsystems.com for latest information.