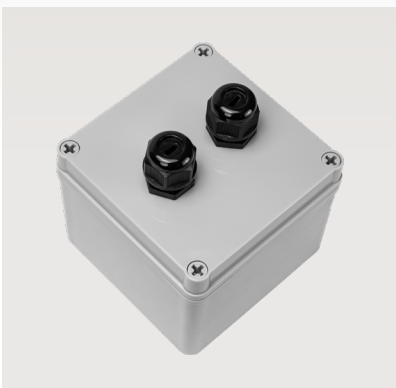




12BP-1G Subwoofer



Highlighted Features



70V / 300W Toroidal Transformer

12BP-IG-70V | 12BP-IG-8Ohm

Description

The 12BP-IG Subwoofer is an all-weather, in-ground, compact subwoofer, featuring a high power, 12" long throw, all weather, low frequency transducer. The 12BP-IG Subwoofer delivers the punch, impact and clean tight bass necessary for outdoor installation. The 12BP-IG is designed to be the perfect companion to our HD Series outdoor loudspeakers, delivering the ultimate experience in high output audio for any outdoor environment. Backyard landscapes, patio and pool areas will come alive with unparalleled clarity and detailed sound, engineered to give you years of listening satisfaction and pleasure.

Ambisonic features its unique bandpass parallel double-tuned design only with this model, in which the composite enclosure and all components within are completely weatherproof.

Available in 8 Ohm or 70V models, the 12BP-IG-70V Subwoofer includes a high performance custom built 70 Volt 300 Watt Toroidal Transformer with low insertion loss and linear response, for use when long wire runs or distributed audio is a requirement.

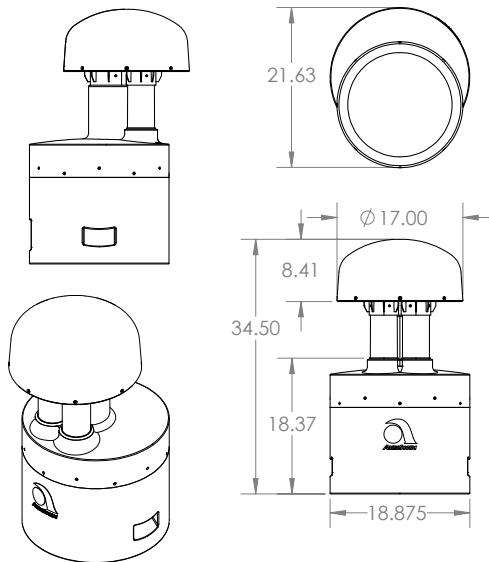
Highlights

- 1 • Integrated Neodymium Magnet
- 2 • Waterproof Composite Cone
- 3 • Large Rubber Surround
- 4 • 70 Volt/300 Watt Toroidal Transformer (to be installed separately, buried ideally within 3 feet of subwoofer).

Scan the QR Code for full instructions for this product.



Line Drawings



Features

- 12" Band-Pass In-Ground Subwoofer
- Robust Composite Roto-Mold Enclosure IP-65 per IEC529
- 12" 1,000W Long Throw Woofer
- Waterproof Composite Cone & Large Rubber Surround
- 17" (43cm) Diameter, Textured Powder-Coated Aluminum Dome Canopy
- Recessed Waterproof Strain Relief Pocket
- 70V/ 300W In-Ground Toroidal Transformer (Part #JB1300) included with the 12BP-IG-70V Subwoofer
- Convenient Handles

Specifications

System Type	Bandpass Parallel Double Tuned In-Ground Subwoofer
Driver Components	All Weather 12" Long Throw Woofer
Crossover	Recommended HPF = 30Hz 12dB per Octave Butterworth
Frequency Range/ Response	28Hz – 140Hz 36Hz – 140Hz +/- 3dB
Maximum SPL@ 1m	123dB Continuous, 127dB Peak
Sensitivity, 2.83V@ 1m	93dB
Power Handling	1000W RMS, 2500W Peak, Displacement Limited
Recommended Amplifier Power	300W (FTC) (12BP-IG-70V) 1000W – 2000W (12BP-IG-8ohm)
Rated Impedance	70V (12BP-IG-70V) 8 Ω (12BP-IG-8ohm)
Input Connectors	24" x 12AWG Pigtail with Waterproof Wire Nuts
Enclosure	Composite Roto-Mold
Optional Included Part	In-Ground 300W 70V Transformer (Part #JB1300) (12BP-IG-70V)
Dimensions (H x W x D)	34.5" x 21.625" x 18.875" 87.5cm x 65cm x 47.9cm Transformer (Part #JB1300): 24.17" x 12.8" x 12.8" 61.4 cm x 32.5 cm x 32.5 cm
Weight, Net/Shipping	60lbs 27.2kg / 67lbs 30.4kg
Warranty	Limited 3-Year Warranty

*All product specifications are subject to change. Correct as of 02-02-24. Please refer to ambisonicsystems.com for latest information.