



Ambisonic Subwoofer Collection

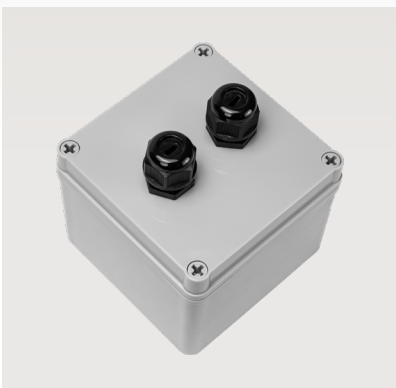
Outdoor Burial Subwoofer



10BP-1G Subwoofer



Robust Subwoofer



70V / 300W Toroidal Transformer

10BP-IG-70V | 10BP-IG-8Ohm

Description

The 10BP-IG Subwoofer is an all-weather, in-ground compact subwoofer, featuring a high power, 10" long throw, all weather, low frequency transducer in a band-pass composite roto-mold enclosure. The 10BP-IG Subwoofer delivers the punch, impact and clean tight bass necessary for outdoor installation. The 10BP-IG is designed to be the perfect companion to our line of high definition ribbon based outdoor loudspeakers, delivering the ultimate in high output, high definition low frequency reinforcement for any outdoor environment. Backyard landscapes, patio and pool areas will come alive with unparalleled clarity and detailed sound, engineered to give you years of listening satisfaction and pleasure.

Ambisonic features its unique bandpass parallel double-tuned design only with this model, in which the composite enclosure and all components within are completely weatherproof.

Available in 8 Ohm or 70V models, the 10BP-IG-70V Subwoofer includes a high performance custom built 70 Volt 300 Watt Toroidal Transformer with low insertion loss and linear response, for use when long wire runs or distributed audio is a requirement.

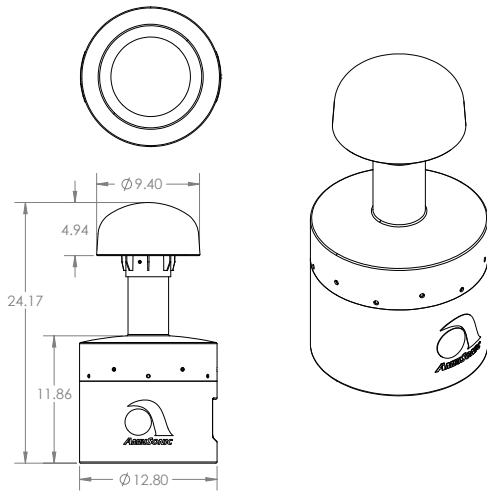
Highlights

- 10" Band-Pass In-Ground Subwoofer
- 10" 300W Long Throw Woofer
- 70 Volt/300 Watt Toroidal Transformer (to be installed separately, buried ideally within 3 feet of subwoofer).

Scan the QR Code for full instructions for this product.



Line Drawings



Features

- 9.4" (24cm) Diameter, Textured Power-Coated Aluminum Dome Canopy
- Waterproof Composite Cone
- Large Rubber Surround
- Robust Composite Roto-Mold Enclosure IP-65 per IEC529
- Recessed Waterproof Strain Relief Pocket
- 70V/ 300W In-Ground Toroidal Transformer (Part #JB1300) included with the 10BP-IG-70V Subwoofer
- Convenient Handles

Specifications

System Type	Compact Band-Pass In-Ground Subwoofer with 9.4" (24cm) Canopy
Driver Components	10" Composite Cone All Weather Woofer
Crossover	DSP LPF 80Hz – 120Hz
Frequency Range/ Response	32Hz – 200Hz 39 – 200Hz +/- 3dB
Maximum SPL @ 1m	117dB Continuous, 122dB Peak
Sensitivity, 2.83V@ 1m	93dB
Power Handling	300W RMS, 800W Peak, Displacement Limited
Recommended Amplifier Power	300W (FTC) (10BP-IG-70V) 100W – 600W (FTC) (10BP-IG-8ohm)
Rated Impedance	70V (10BP-IG-70V) 8 Ω (10BP-IG-8ohm)
Input Connectors	24" Pigtail with Waterproof Wire Nuts
Enclosure	Composite Roto-Mold
Mounting Options	In-Ground, Recommended Depth 13" (5.12cm) to 17" (6.7cm)
Optional Included Part	In-Ground 300W 70V Transformer (Part #JB1300) (10BP-IG-70V)
Dimensions (H x W x D)	24.17" x 12.8" x 12.8" 61.4cm x 32.5cm x 32.5cm Transformer (Part #JB1300): 24.17" x 12.8" x 12.8" 61.4 cm x 32.5 cm x 32.5 cm
Weight, Net/Shipping	25.6lbs 11.6kg / 38.5lbs 17.5kg
Warranty	Limited 3-Year Warranty

*All product specifications are subject to change. Correct as of 02-02-24. Please refer to ambisonicsystems.com for latest information.