



Composite Construction



Planar Ribbon Driver



Optional Mounting

## LSR40 (70V | 8Ω)

### Description

Introducing our smallest speaker in the LSR Series, the LSR40 is an all-weather outdoor loudspeaker equipped with a *weatherized, 1" round magnetic ribbon driver/waveguide assembly* (patent pending), in coaxial alignment with a *3½" high fidelity woofer*, featuring a *glass fiber cone* and *rubber surround* for extreme resistance to the elements. The LSR40 delivers impressively transparent sound quality, previously unavailable in an outdoor satellite loudspeaker of this size. Additionally, it features a *six-wire pigtail for wiring in either a 70V or 8Ω capability*.

### Features

- 3½" Glass Fiber Cone Woofer
- 1" Planar Magnetic Ribbon Driver/Waveguide Assembly (Patent Pending)
- Ultra-fast transient response and higher instantaneous peak level for faithful signal reproduction and improved dynamic range
- Coaxial design for wide dispersion, excellent stereo imaging and larger listening area
- LSR40 is equipped with a custom built 70V | 50W low loss, linear response Toroidal Transformer
- Color-molded composite construction won't chip, peel or fade over time
- Part of a scalable system designed to suit any sized space

Scan the QR Code for full instructions for this product.



## Features

1. Optional LSTM Surface Mount
  2. Optional LSLs Spike Mount
  3. Optional LFSM Tree Mount
- Standard 1/2 NPT for multiple mounting solutions  
(Exterior walls, under eaves, on pillars, in trees or just about anywhere)
  - Six Wire Pigtail for 70V or 8Ω wiring. Prewired for 70V.

## Round Planar Ribbon Driver

You'll need to hear to believe our highly efficient planar ribbon driver, featuring a high-performance, audiophile-grade, weatherized ribbon tweeter, energized by a neodymium motor. Capable of accentuating your audio signal into the ultimate high fidelity reproduction, and designed to bring to life those important key transients and higher frequency nuances for a stunningly powerful, outdoor sound immersion experience; it promises crystal clear, wide dispersion sound yet minimal distortion at high volumes.

## Specifications

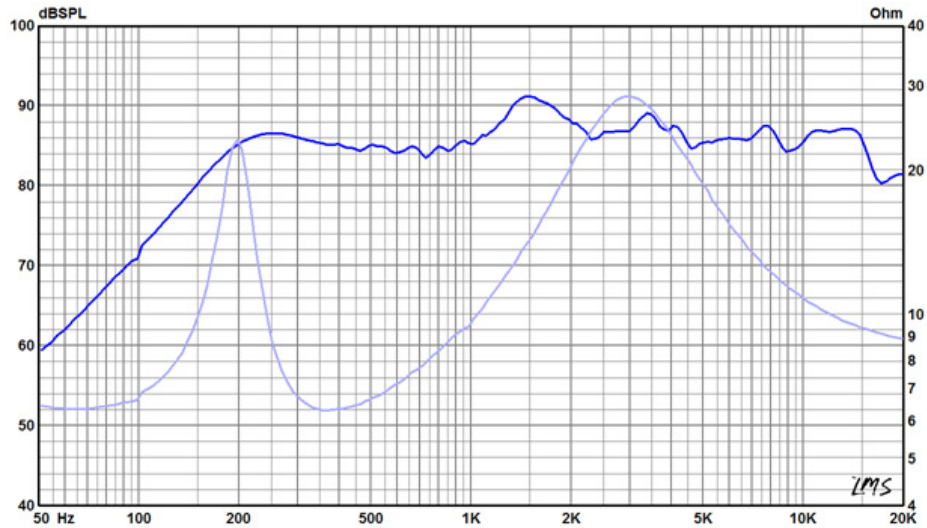
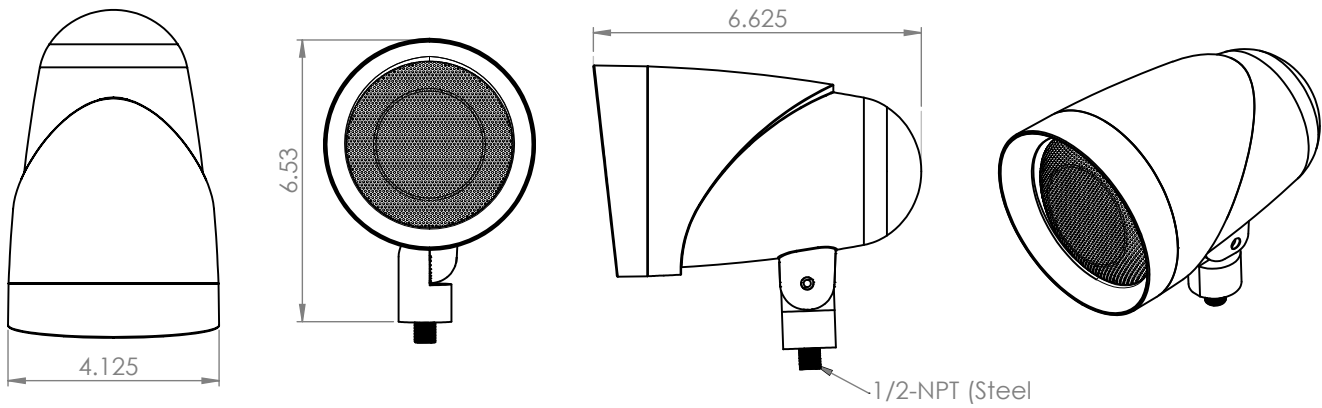
SPECIFICATIONS	LSR40
System Type	Ribbon Equipped Landscape Satellite Loudspeaker
Driver Components	All-Weather 3 1/2" Glass Fiber Cone Woofer 1" Round Planar Magnetic Ribbon Driver
Frequency Response	110Hz - 20kHz (-10db)   150Hz - 20kHz (+/- 3db)
Max SPL @ 1m	102dB Continuous, 108dB Peak
System Coverage	120° Conical
Sensitivity, 1m/2.83V	85 dB
Power Handling	50W RMS
Impedance   Transformer	8 Ohm   70 Volt / 50W Transformer
Input Connectors	24" x 14 AWG Pigtail with Waterproof Wire-nuts
Enclosure Material	Color-molded Composite
Satellite Dimensions	6.53" H x 4.13" W x 6.63" L (166 mm H) x (105 mm W) x (168 mm L)



LSR40 prewired for 70V.

\*All product specifications are subject to change. Correct as of 11-02-23. Please refer to [ambisonicsystems.com](http://ambisonicsystems.com) for latest information.

## Line Drawings



\* AVERAGE RESPONSE: Within the listening window

\*All product specifications are subject to change. Correct as of 11-02-23. Please refer to [ambisonicsystems.com](http://ambisonicsystems.com) for latest information.