

# Bluetooth Stereo Outdoor Amplifier

## Description

Ambisonic's new L-300 amplifier has been designed and engineered to deliver the best possible "Audiophile" quality sound. Featuring 2 channels of clean power for many outdoor applications. Easily connects through Bluetooth to your digital devices allowing you to play music content from your favorite streaming services or personal catalogs.

## Features





- All Weather Robust Stainless Steel enclosure IP-66
- Bluetooth 5.0
- 120Hz LPF switch: to use as subwoofer amp
- BTL Bridge mode switch
- Line in and out on Phoenix connectors
- Input sensitivity volume knob for matching gain to source (preamp)
- LED indicators, Bridge, Clip L/R, Temperature & Overload Protection
- Simple installation & wiring



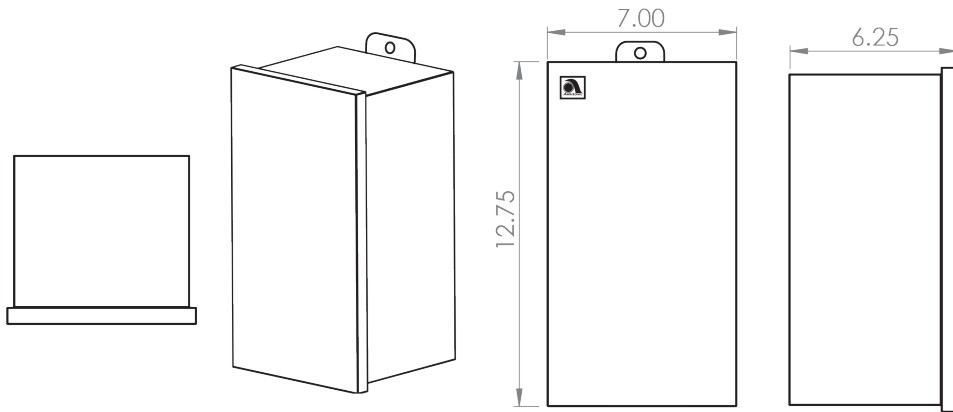
Composite Construction



Optional Mounting

 <b>Intertek</b> 5004938	<b>L-300 Stereo Amplifier</b>
	INPUT : 120V AC @60Hz OUTPUT : 300W /4ohms 150W /8ohms MODEL : L-300
CONFORMS TO UL STD. 60065 CERTIFIED TO CSA STD. C22.2 NO. 60065	
	
↑ MOUNT THIS UNIT NO LESS THAN 1 FOOT ABOVE GROUND LEVEL WITH ARROWS POINTED UP. ↓ <b>COVER MUST BE INSTALLED</b>	
Ambisonic Systems,LLC CONFORMS TO UL STD 1838 CERTIFIED TO CSA STD C22.2 NO.250.7	

## Specifications



System Type	Bluetooth Stereo Outdoor Amplifier
Output Power per Channel @ 1% THD+N @1k	150W @ 8Ω 300W @ 4Ω
Bridge Mode BTL	420W 8Ω
Frequency Response	20 Hz - 20kHz (+/-1dB) (8Ω load, -3dB below rated power)
Signal to Noise-Ratio	>106dB (A-Weighted, 20Hz-20kHz, 8Ω load)
Damping Factor	>100 @1k
THD+Noise (typical)	< .007% (-3dB below rated power)
Voltage Gain	26dB
Crosstalk	> 85dB
Line Voltage Input	120V AC@ 60Hz
Operating Voltage	100-130V AC@ 60Hz
Protection Circuits	Short Circuit, DC, Temperature, Overload Protection
Dimensions	12 3/4" H x 6 1/4" W x 7" L   (324mm H x 159mm W x 178mm L)
Weight	9.55 lb net / 10.80 lb shipping

## Features

