



12BP-IG-70V



70V | 300 W

Toroidal Transformer



Feature Highlights

Outdoor Burial Subwoofer

Description

12BP-IG-70V is an all-weather, in-ground, compact subwoofer, featuring a high power 12" long throw all weather low frequency transducer. Ambisonic features its unique bandpass parallel double-tuned design only with this model, in which the composite enclosure and all components within are completely weatherproof. Built-in high performance custom built 70 Volt 300 Watt Toroidal Transformer with low insertion loss and linear response for use when long wire runs or distributed audio is a requirement.

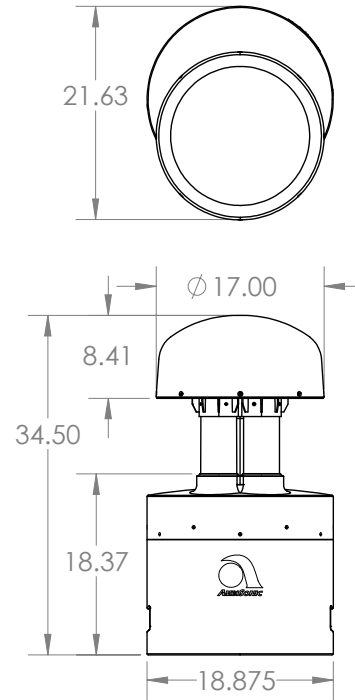
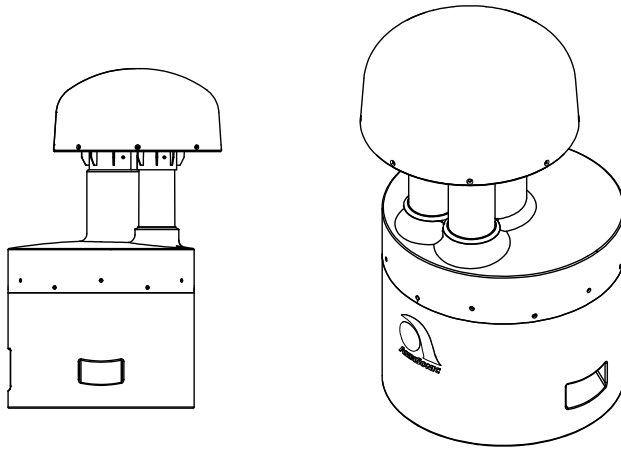
The 12BP-IG-70V Subwoofer delivers the punch, impact and clean tight bass necessary for outdoor installation. The 12BP-IG-70V is designed to be the perfect companion to our HD Series outdoor loudspeakers, delivering the ultimate experience in high output audio for any outdoor environment. Backyard landscapes, patio and pool areas will come alive with unparalleled clarity and detailed sound, engineered to give you years of listening satisfaction and pleasure.

Features

- 12" Band-Pass In-Ground Subwoofer
- Robust Composite Roto-Mold Enclosure IP-65 per IEC529
- 12" 1,000W Long Throw Woofer
- Waterproof Composite Cone & Large Rubber Surround
- 17" (43cm) Diameter, Textured Powder-Coated Aluminum Dome Canopy
- Recessed Waterproof Strain Relief Pocket
- Convenient Handles
- Included 300W 70V In-Ground Transformer (Part # JBI300)

Feature Highlights Key

1. Integrated Neodymium Magnet
2. Waterproof Composite Cone
3. Large Rubber Surround



System Type	Bandpass Parallel Double Tuned In-Ground Subwoofer
Driver Components	All Weather 12" Long Throw Woofer
Crossover	Recommended HPF = 30Hz 12dB per Octave Butterworth
Frequency Range/ Response	28Hz - 140Hz 36Hz - 140Hz +/- 3dB
Maximum SPL@ 1m	123dB Continuous, 127dB Peak
Sensitivity, 2.83V@ 1m	93dB
Power Handling	1000W RMS, 2500W Peak, Displacement Limited
Recommended Amplifier Power	300W (FTC)
Rated Impedance	70V
Input Connectors	24" x 12AWG Pigtail with Waterproof Wire Nuts
Enclosure	Composite Roto-Mold
Included Part	In-Ground 300W 70V Transformer Part # JBI300
Dimensions (H x W x D)	34.5" x 21.625" x 18.875" 87.5cm x 65cm x 47.9cm Transformer Part #JBI300 24.17" x 12.8" x 12.8" 61.4 cm x 32.5 cm x 32.5 cm
Weight, Net/Shipping	60lbs 27.2kg / 67lbs 30.4kg
Warranty	Limited 3-Year Warranty