



10BP-IG-70V



Robust Subwoofer



70V | 300 W

Toroidal Transformer

Outdoor Burial Subwoofer

Description

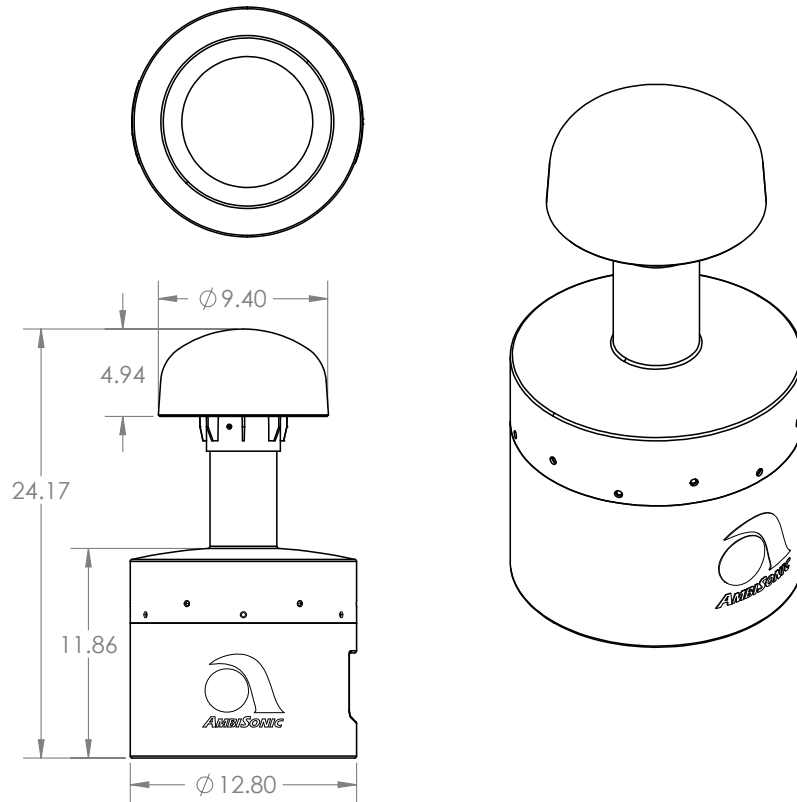
10BP-IG-70V is an all-weather, in-ground compact subwoofer, featuring a high power 10" long throw all weather low frequency transducer in a band-pass composite roto-mold enclosure. The 10BP-IG Subwoofer delivers the punch, impact and clean tight bass necessary for outdoor installations. Built-in high-performance custom built 70 Volt 300 Watt Toroidal Transformer with low insertion loss and linear response for use when long wire runs or distributed audio is a requirement.

The 10BP-IG-70V is designed to be the perfect companion to our line of high definition ribbon based outdoor loudspeakers, delivering the ultimate in high output, high definition low frequency reinforcement for any outdoor environment. Backyard landscapes, patio and pool areas will come alive with unparalleled clarity and detailed sound, engineered to give you years of listening satisfaction and pleasure.

Features

- 10" Band-Pass In-Ground Subwoofer
- Robust Composite Roto-Mold Enclosure IP-65 per IEC529
- 10" 300W Long Throw Woofer
- Waterproof Composite Cone
- Large Rubber Surround
- 9.4" (24cm) Diameter, Textured Power-Coated Aluminum Dome Canopy
- Recessed Waterproof Strain Relief Pocket
- Convenient Handles
- Included 300W 70V In-Ground Transformer (Part # JB1300)

Specifications



System Type	Compact Band-Pass In-Ground Subwoofer with 9.4" (24cm) Canopy
Driver Components	10" Composite Cone All Weather Woofer
Crossover	DSP LPF 80Hz - 120Hz
Frequency Range/ Response	32Hz - 200Hz 39 - 200Hz +/- 3dB
Maximum SPL @ 1m	117dB Continuous, 122dB Peak
Sensitivity, 2.83V@ 1m	93dB
Power Handling	300W RMS, 800W Peak, Displacement Limited
Recommended Amplifier Power	300W (FTC)
Rated Impedance	70V
Input Connectors	24" Pigtail with Waterproof Wire Nuts
Enclosure	Composite Roto-Mold
Mounting Options	In-Ground, Recommended Depth 13" (5.12cm) to 17" (6.7cm)
Included Part	In-Ground 300W 70V Transformer Part # JB1300
Dimensions (H x W x D)	24.17" x 12.8" x 12.8" 61.4cm x 32.5cm x 32.5cm Transformer Part #JB1300 24.17" x 12.8" x 12.8" 61.4 cm x 32.5 cm x 32.5 cm
Weight, Net/Shipping	25.6lbs 11.6kg / 38.5lbs 17.5kg
Warranty	Limited 3-Year Warranty