



## LSR8 Outdoor Satellite Loudspeaker



### Description:

Model LSR8 is an all-weather outdoor 70V loudspeaker equipped with a weatherized, 3" planar magnetic ribbon driver/waveguide assembly, in coaxial alignment with a 6" high fidelity woofer featuring a glass fiber cone and rubber surround for extreme resistance to the elements. The LSR8 delivers impressively transparent sound quality previously unavailable in any outdoor/landscape satellite loudspeaker.

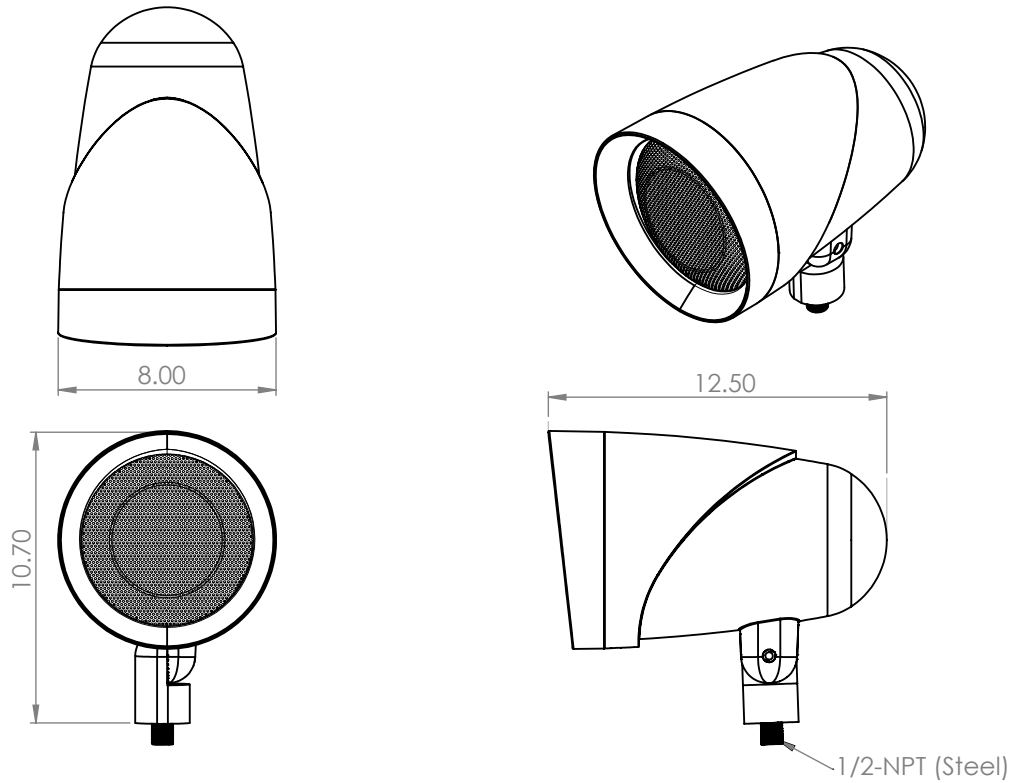
### Features:

- 6" glass fiber cone woofer
- 3" planar magnetic ribbon driver
- Ultra-fast transient response and higher instantaneous peak level for faithful signal reproduction and improved dynamic range
- Coaxial design for wide dispersion, excellent stereo imaging and larger listening area
- Custom built 70V 100W low loss, linear response torrid transformer
- Color-molded composite construction won't chip, peel or fade over time.
- Part of a scalable system designed to suit any sized space
- Standard 1/2 NPT for multiple mounting solutions (Exterior walls, under eaves, on pillars, in trees or just about anywhere)



Optional Mounting

# LSR8 Specifications



System Type	Ribbon equipped outdoor/landscape satellite loudspeaker
Driver Components	All-weather 6" glass fiber cone woofer, 3" planar magnetic ribbon driver
Frequency Response	70hz - 20khz (-10db) 100hz - 20khz (+/- 3db)
SPL, Continuous	109db
System Coverage	100 degree horizontal, 60 degree vertical
Sensitivity, 1m/2.83V	89 dB
Power Handling	100W RMS
Rated Impedance	70 Volt
Input Connectors	24" x 14awg pigtail with water proof wire-nuts
Enclosure	Color-molded composite
Dimensions, (H x W x L) inches (mm)	10.70" (27.2cm) x 8" (02.3cm) x 12.50" (31.8cm)

