



# LSR6 & LSR6-70V Outdoor Satellite Loudspeaker



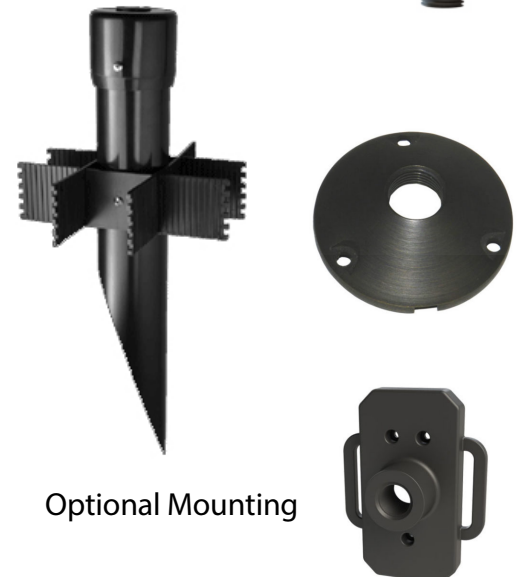
## Description:

Model LSR6 and LSR6-70V are all-weather outdoor loudspeakers equipped with a weatherized, 2.8" planar magnetic ribbon driver/waveguide assembly (*patent pending*), in coaxial alignment with a 5.25" high fidelity woofer featuring a glass fiber cone and rubber surround for extreme resistance to the elements. The LSR6 delivers impressively transparent sound quality previously unavailable in any outdoor/landscape satellite loudspeaker.



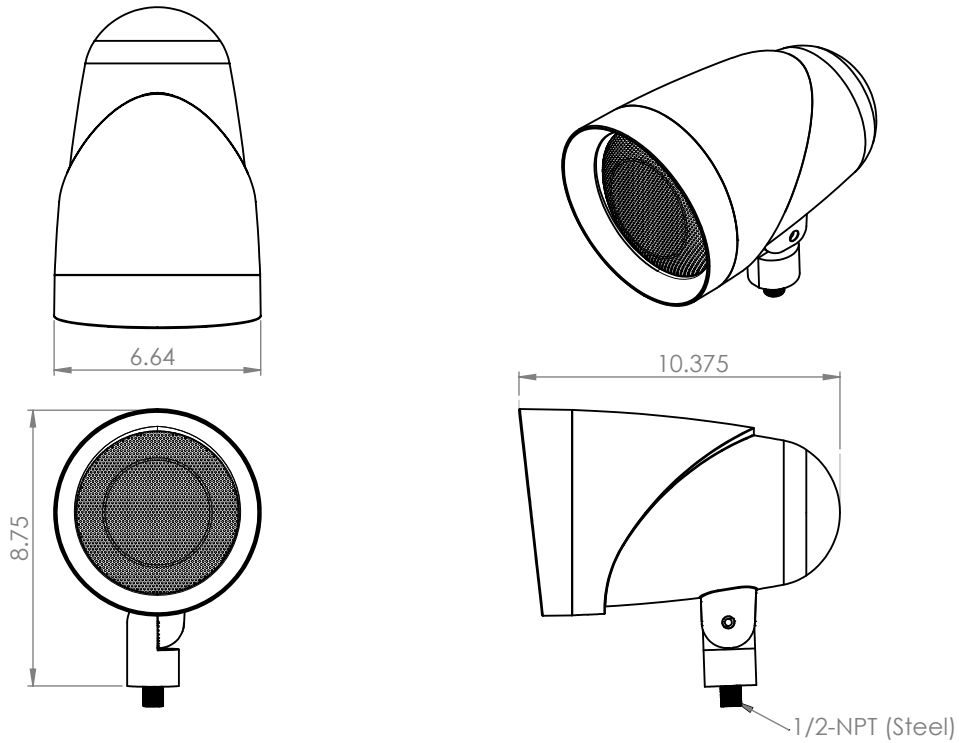
## Features:

- 5.25" glass fiber cone woofer
- 2.8" planar magnetic ribbon driver/waveguide assembly (*patent pending*)
- Ultra-fast transient response and higher instantaneous peak level for faithful signal reproduction and improved dynamic range
- Coaxial design for wide dispersion, excellent stereo imaging and larger listening area
- LSR6-70V is equipped with a custom built 70V 75W low loss, linear response toroid transformer
- Color-molded composite construction won't chip, peel or fade over time.
- Part of a scalable system designed to suit any sized space
- Standard 1/2 NPT for multiple mounting solutions (Exterior walls, under eaves, on pillars, in trees or just about anywhere)



Optional Mounting

# LSR6 / LSR6-70V Specifications



System Type	Ribbon equipped outdoor/landscape satellite loudspeaker
Driver Components	All-weather 5.25" glass fiber cone woofer, 2.8" planar magnetic ribbon driver
Frequency Response	95hz - 20khz (-10db) 125hz - 20khz (+/- 3db)
SPL, Continuous	106db
System Coverage	110 degree horizontal / 75 degree vertical
Sensitivity, 1m/2.83V	88 dB
Power Handling	75W RMS
Rated Impedance / Transformer	Model LSR6-8Ω / Model LSR6-70V-75W
Input Connectors	24" x 14awg pigtail with water proof wire-nuts
Enclosure	Color-molded composite
Dimensions, (H x W x L) inches (mm)	8.75" (222.0mm) x 6.64" (168.5mm) x 10.375" (263.3mm)

AVERAGE RESPONSE: Within the listening window

