



Model S11BP Subwoofer

Description:

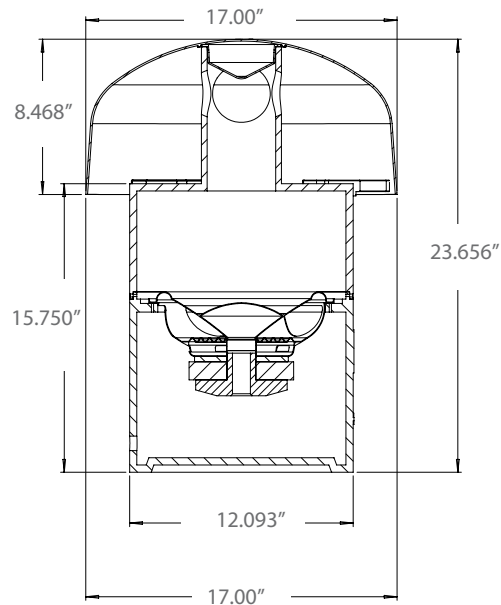
Ambisonic's Model S11BP in-ground subwoofer is a powerhouse of clean, tight bass that perfectly compliments our Satellite loudspeakers for true outdoor distributed audio. Designed to be partially buried or as a hard-scape installation. Our proprietary 11" driver is an 8Ω, dual voice coil with a frequency response of 41Hz - 150Hz. Robust composite enclosure and powder coated canopy for "All Weather" outdoor installations.

The Model S11BP Subwoofer delivers the punch, impact and clean tight bass necessary for outdoor installations. The S11BP is designed to be the perfect companion to our 6.5HD-AW-L high definition loudspeakers, delivering the ultimate in "High Definition" audio for any outdoor environment. Backyard landscapes, patio and pool areas will come alive with unparalleled clarity and detailed sound, engineered to give you years of listening satisfaction and pleasure.

Features:

- 11" dual voice coil band-pass in-ground sub-woofer
- Polypropylene cone
- Santoprene rubber surround
- 2" voice coil
- 61.5 Oz Y35 ferrite magnet
- 17" diameter dark brown textured canopy
- Low Density Polyethylene (LDPE) black Roto-mold sealed enclosure
- 12dB crossover network (x2)

S11BP Specifications



Specifications:

System Type	11" Vertical Sub-Woofer
Driver	All-weather 11" dual voice coil, polypropylene cone Woofer
Frequency Response	41 Hz - 150 Hz
Maximum SPL	113db Continuous 119db Peak
Sensitivity, 1m/2.83V	90 dB
Power Handling	200 Watts x 2 AES 400 x 2 Peak
Rated Impedance	Dual 8 Ohm
Input Connectors	Pigtail
Enclosure	All weather, molded composite
Dimensions, (L x Dia.)	23" H x 12.2" Diameter (Enclosure) 17" Diameter x 8.4" H (Canopy)
Shipping Weight	46.3 lbs
Warranty	Limited 3-year warranty

