



# Immersive HD Model 212HD

## Description:

The 212HD is a high definition compact subwoofer, featuring two (2) high power 12" long throw, low frequency transducers. The uniquely braced 18mm Baltic Birch enclosure has been designed to achieve maximum extension and tight bass response.

The Model 212HD Subwoofer has been designed for portability as well as permanent installations with integrated 3/8-16 fly points. Engineered to compliment our model 6.5HD loudspeakers and Line Array systems. Delivering punch, high impact clean tight bass.

Weatherized Finish for protected outdoor areas is available **Model 212HD-WF**



Horizontal or Vertical Positioning

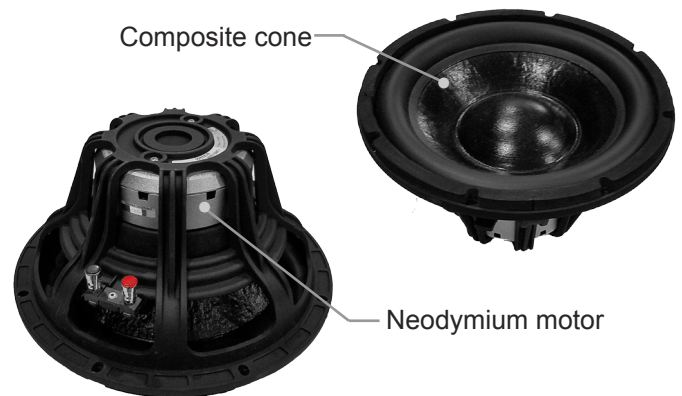
## Features:

- All weather long throw woofer featuring a super stiff composite cone, large rubber surround, massive internal neodymium motor structure in a vented enclosure
- 18mm Baltic Birch enclosure
- Built in industry rated 3/8-16 fly points
- Multi position (side, top, or bottom) rubber feet for vibration free surface placement (Included)
- Integrated handles for easy transport
- All stainless-steel hardware

## Applications:

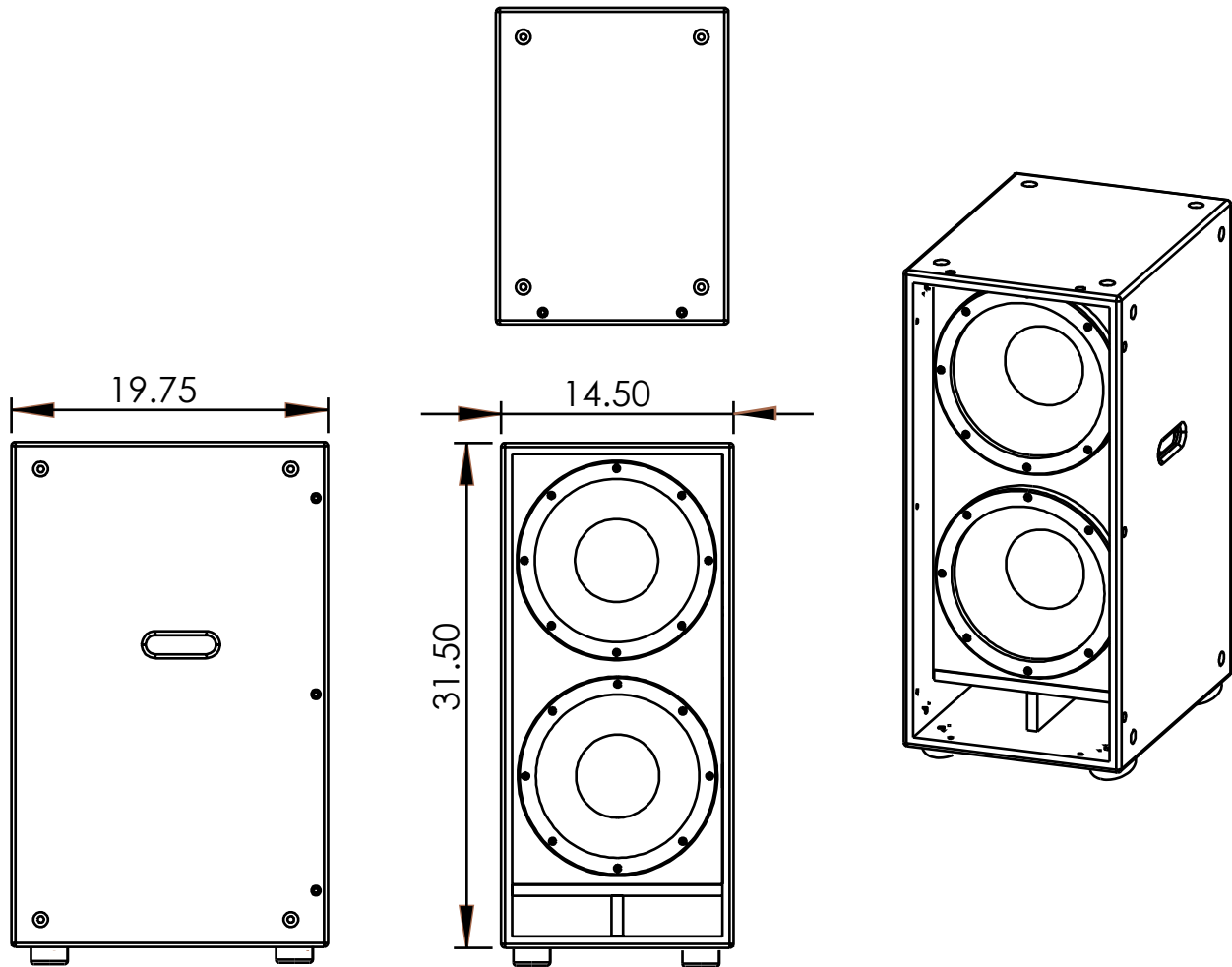
- Houses of Worship
- Performing Arts Theaters
- Athletic Facilities
- Convention Centers
- Theme Parks
- Museums
- Airports & Train Stations
- Challenging Acoustic Spaces
- Multi-Purpose Venues
- Audio, Video Production

The 212HD Compact Subwoofer delivers high-output, low frequency reinforcement when space is at a premium.



Detail / Powdercoated Grill

# 212HD Specifications



|                                     |  |
|-------------------------------------|--|
| System Type                         | Compact vented composite subwoofer                       |
| Driver Components                   | 2 x All-Weather 12" long throw woofer                    |
| Crossover                           | Recommended HPF=35hz 12db per octave Butterworth         |
| Frequency Response                  | 32hz - 300hz (-10db) 41hz - 300hz (+/- 3db)              |
| Maximum SPL                         | 130db Continuous, 136db Peak                             |
| Sensitivity, 1m/2.83V               | 99 dB  |
| Power Handling                      | 2000W AES, 8000W Peak                                    |
| Rated Impedance                     | 4 Ohms   |
| Input Connectors                    | Screw terminal barrier strip / 2 x NL4 Speakon connector |
| Enclosure                           | 18mm Baltic Birch, ported                                |
| Mounting                            | 16 internal 3/8-16 fly points                            |
| Dimensions, (H x W x D) inches (cm) | 31.5" (80.0cm) x 14.5" (36.8cm) x 19.75" (50.2cm)        |
| Weight, net / shipping              | 86lbs (39kg) / 94 lbs (42.6kg)                           |
| Warranty                            | Limited 3-year warranty                                  |

