



Immersive HD Model L-240 Amplifier



Model L-240 WiFi / Bluetooth Stereo Outdoor Amplifier

Description:

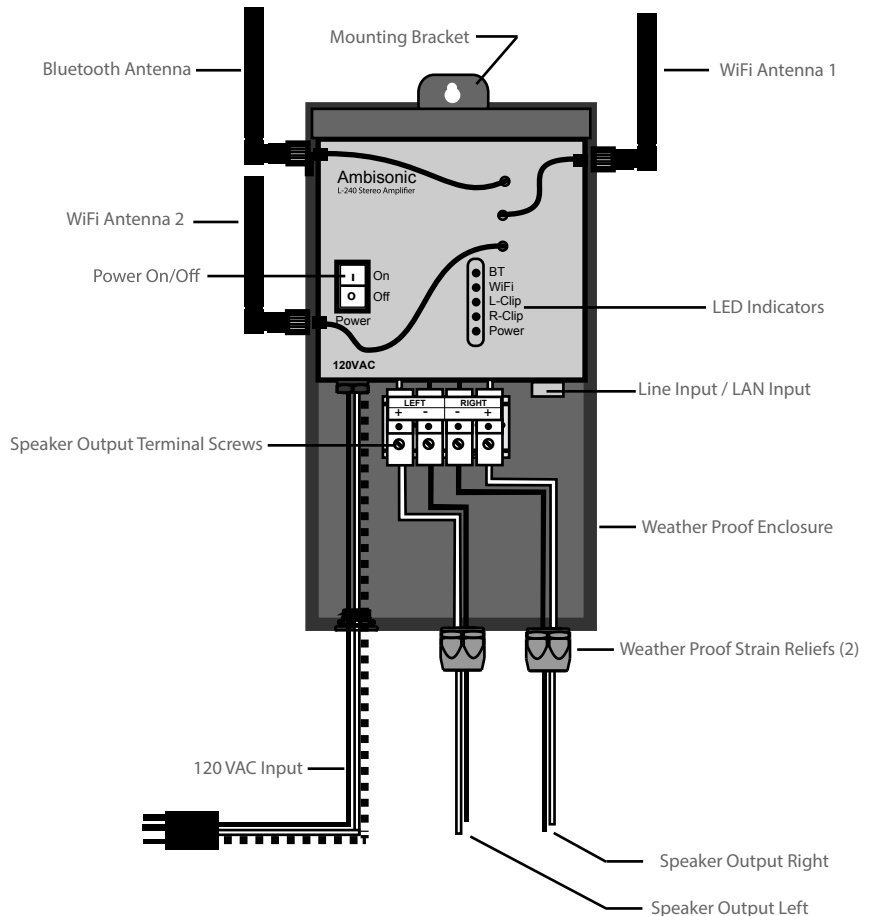
AmbiSonic's new Model L-240 amplifier has been designed and engineered to deliver the best possible "Audiophile" quality sound. Featuring two (2) channels of clean power for many outdoor applications. Easily connects to WiFi or Bluetooth from your digital devices allowing you to play music content from your favorite streaming services or personal catalogs.

Features:

- All weather robust Stainless Steel enclosure IP-66
- WiFi, Bluetooth, LAN and Line Input connectivity
- Simple Installation & Wiring

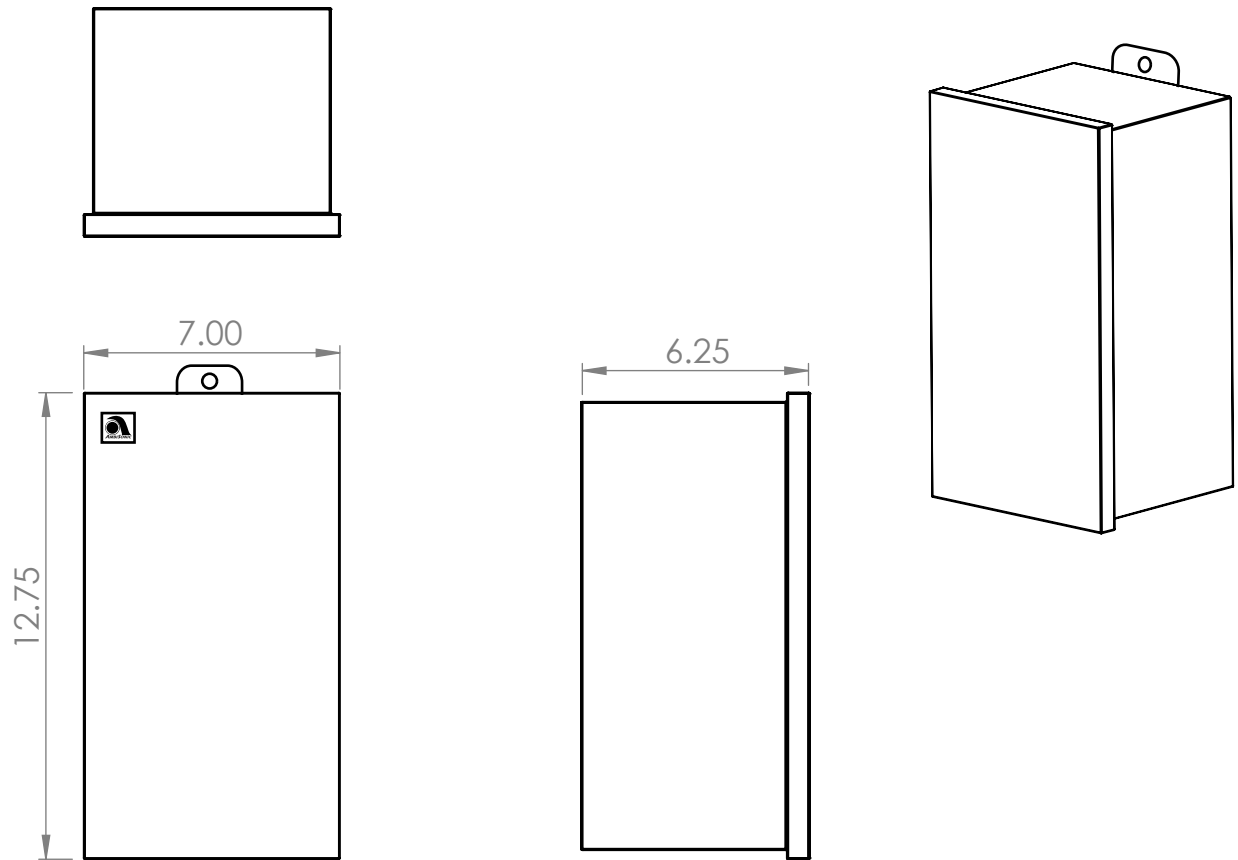
Applications:

- For any permanent outdoor installation
- Backyard landscapes, patio and pool areas



 Intertek 5004938	L-240 Stereo Amplifier INPUT : 100 - 240V AC 50-60Hz 75W OUTPUT : 240W/4ohms MODEL: L-240
	CONFORMS TO UL STD. 60065 CERTIFIED TO CSA STD. C22.2 NO. 60065
CAUTION RISK OF ELECTRIC SHOCK DO NOT OPEN TO REDUCE THE RISK OF ELECTRIC SHOCK, DO NOT REMOVE COVER (OR BACK). NO USER-SERVICEABLE PARTS INSIDE. REFER SERVICE TO QUALIFIED SERVICE PERSONNEL.	MISE EN GARDE RISK OF CHOC ELECTRIQUE NE PAS OUVRIR AFIN DE RÉDUIRE LE RISQUE DE CHOC ÉLECTRIQUE, NE DÉMONTÉZ PAS LE COUVERCLE (OU LE DOS). AUCUNE PIÈCE INTÉRIEURE RÉPARABLE PAR L'UTILISATEUR. FAITES APPEL À UN TECHNICIEN QUALIFIÉ.
MOUNT THIS UNIT NO LESS THAN 1 FOOT ABOVE GROUND LEVEL WITH ARROWS POINTED UP. COVER MUST BE INSTALLED	
AmbiSonic Systems,LLC CONFORMS TO UL STD 1838 CERTIFIED TO CSA STD C22.2 NO.250.7	AmbiSonic

L-240 Specifications



Output power per channel	
8 ohms	2 x 120w
4 ohms	2 x 120w
Frequency Response	20hz-20khz (+0 / .25 dB, (8 ohm load, -3dB below rated power)
Signal to Noise-Ratio	120dB (A-Weighted, 20hz-20khz, 8 ohm load
Damping Factor	> 500 (8ohm load, 1k and below
THD+Noise (typical)	< .05% (20hz-20Khz, 8 ohm load, -3dB below rated power)
Voltage Gain	26dB
Crosstalk	> 80dB
Line Voltage	Universal Mains, 100v / 240v
Protection Circuits	Short Circuit, DC, Under voltage, Temperature, overload protection
Dimensions H, W, D	12.75" (32.4cm) x 7" (17.8cm) x 6.25" (15.9cm)
Weight, net/shipping	? ?
Warranty	Limited 3-year warranty

