

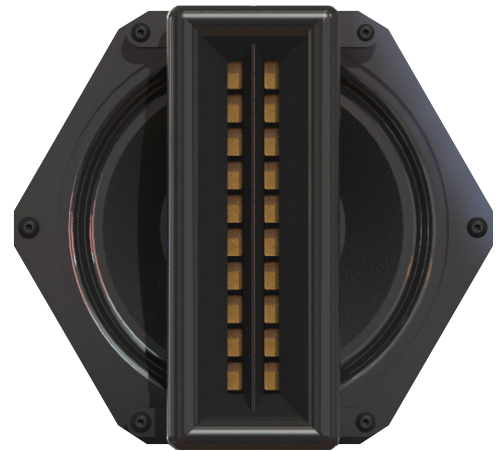


Immersive HD Model 6.5HD-AW



Description:

The 6.5HD-AW is a high definition, ultra-high fidelity full range loudspeaker featuring a 6" Planar Magnetic Ribbon and a 6.5" woofer in a true coaxial configuration. The compact, trapezoidal all weather, molded composite enclosure with an "IP-65" rating, has been designed with unique waveguides delivering excellent dispersion and fidelity.



Features:

- Ultra-fast transient response and higher instantaneous peak level for faithful signal reproduction and improved dynamic range
- Wide Horizontal dispersion for excellent stereo imaging and larger listening area
- Well controlled vertical dispersion reduces floor and ceiling reflections and yields longer listening distances
- Robust, molded urethane composite enclosure for permanent outdoor installations
- All weather, water-proof drive components
- Unique woofer and ribbon wave guides for better dispersion and fidelity
- Galvaneal, powder coated steel grill with reticulated foam
- Stainless steel and powder coated hardware
- Trapezoidal form factor allows the 6.5HD-AW to be used as a building block (module) for the ultimate high fidelity, all weather, high definition line arrays

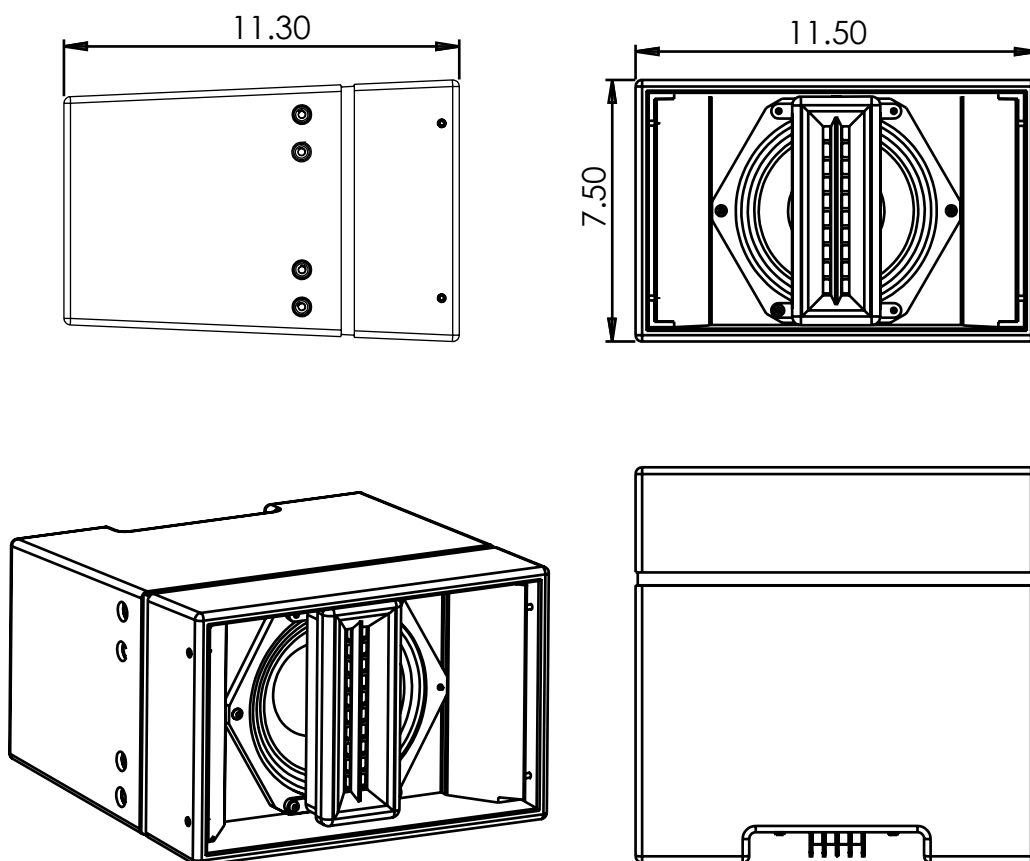
True coaxial drivers produce a perfectly symmetrical coverage pattern and lower distortion due to the alignment's acoustic filter effect. Resulting in an evenly dispersed, audiophile-quality sound even at the highest output levels.

Applications:

- Houses of Worship
- Performing Arts Theaters
- Athletic Facilities
- Convention Centers
- Theme Parks
- Museums
- Airports & Train Stations
- Challenging Acoustic Spaces
- Multi-Purpose Venues
- Audio, Video Production



6.5HD-AW Specifications



| | |
|-----------------------------|--|
| System Type | Hybrid Coaxial, ribbon, woofer, two-way full range loudspeaker |
| Driver Components | All-weather 6" ribbon driver + 6.5" composite cone woofer |
| Frequency Response | 50 Hz - 20 kHz (-10db) 78hz – 20khz +/- 3db |
| Maximum SPL | 109db Continuous, 115db Peak |
| System coverage | 110 degree horizontal, 60-degree vertical (averaged from 1k to 8k) |
| Sensitivity, 1m/2.83V | 89 dB |
| Power Handling | 100W AES, 200W Program 400W Peak |
| Recommended Amplifier Power | 100 W - 400W (FTC) @ 8 Ohms |
| Rated Impedance | 8 Ohms nominal, 5.7 ohms min @ 160hz |
| Crossover | Passive, custom. Recommended HPF 45Hz, 12db Butterworth |
| Input Connectors | Screw terminal barrier strip |
| Enclosure | All-weather, sealed trapezoid composite. IP-65 per IEC529 |
| Mounting (Included) | Universal Mount |
| Dimensions, (H x W x D) | 7.4" (18.8cm) x 11.5" (29.21cm) x 11.3" (28.7cm) |
| Weight, net / shipping | 19.8Lbs (9kg) / 24.6Lbs (11.18kg) |
| Warranty | Limited 3-year warranty |



6.5HD-AW Directivity

