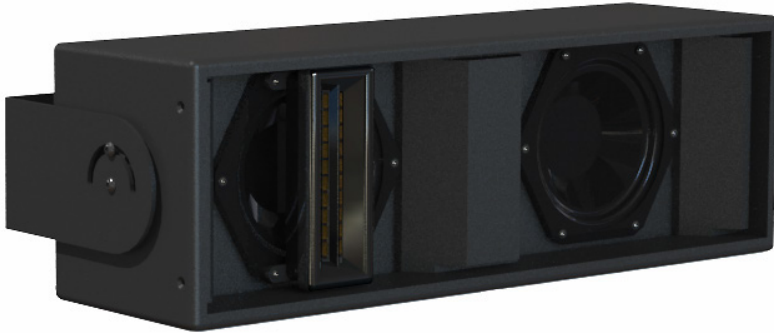




Immersive HD Model 26.5HD



Description:

The 26.5HD is a high definition, ultra-high-fidelity loudspeaker featuring a 6" Planar Magnetic Ribbon and a 6.5" woofer in a true coaxial configuration with an additional 6.5" Low Frequency woofer for high sensitivity and high output. Wide horizontal dispersion is maintained by way of a custom 2.5-way crossover. The compact, shallow, enclosure has been designed with unique waveguides which deliver excellent dispersion and fidelity. Constructed of Baltic Birch with stiff internal bracing creating a colorless sonic enclosure

Weatherized Finish for protected outdoor areas is available **Model 26.5HD-WF**

Features:

- Shallow (7") form factor allows the 26.5HD to be used anywhere depth of space is at a premium and high sensitivity, high output is required.
- Ultra-fast transient response and higher instantaneous peak level for faithful signal reproduction and improved dynamic range
- Wide Horizontal dispersion for excellent stereo imaging and larger listening area
- Well controlled vertical dispersion reduces floor and ceiling reflections and yields longer listening distances
- Robust enclosure and components
- Unique woofer and ribbon wave guides for better dispersion and fidelity
- All stainless steel hardware and powder coated mounting brackets



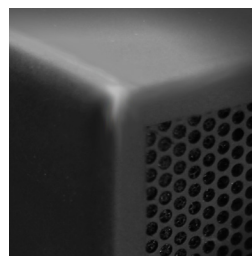
True coaxial drivers produce a perfectly symmetrical coverage pattern and lower distortion due to the alignment's acoustic filter effect. Resulting in an evenly dispersed, audiophile-quality sound even at the highest output levels.

Applications:

- Cinema
- Home Theatre
- Houses of Worship
- Performing Arts Theaters
- Athletic Facilities
- Convention Centers
- Jumbo / Large TV sound bar
- Museums
- Airports & Train Stations
- Challenging Acoustic Spaces
- Multi-Purpose Venues
- Audio, Video Production



Inputs / Speakon & Barrier Strip

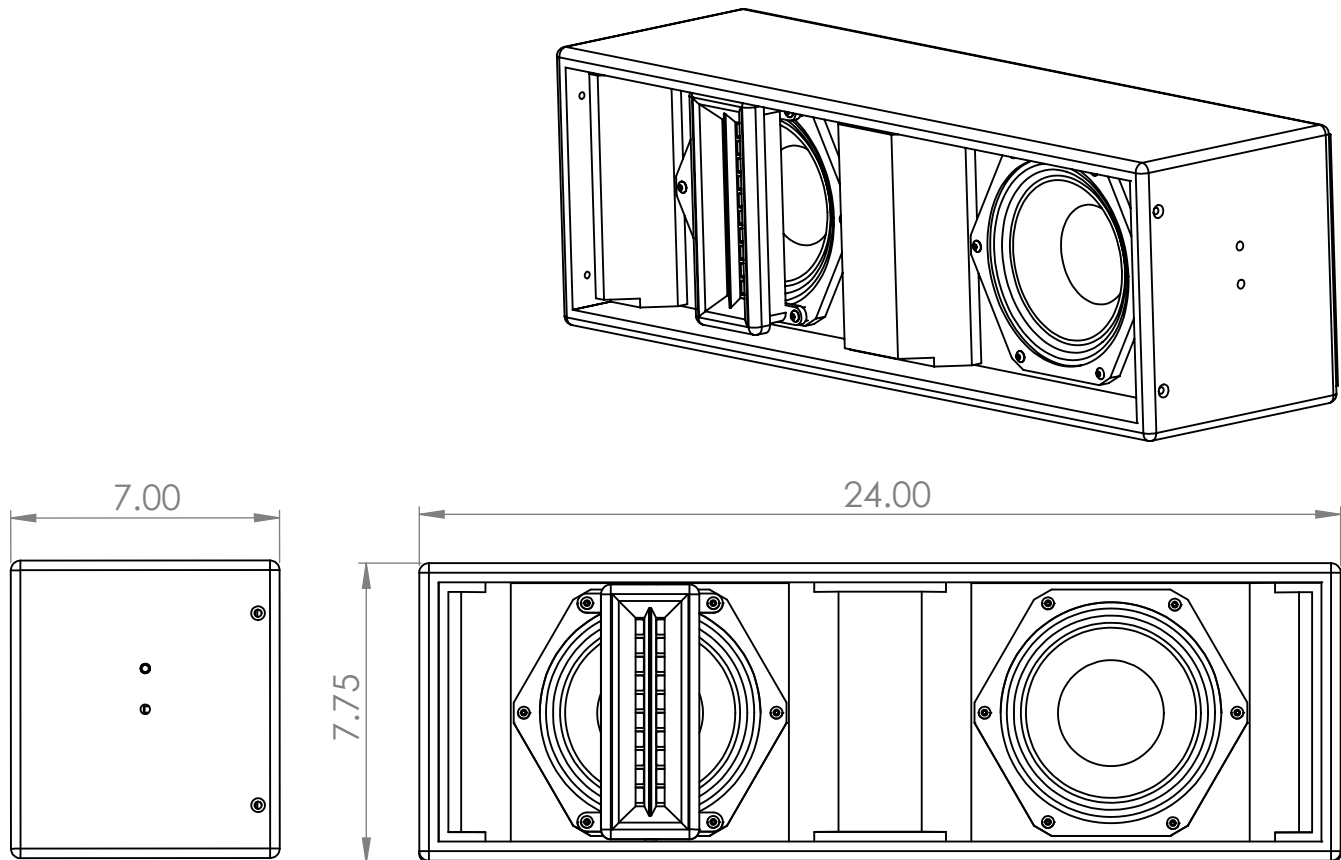


Powder Coated Grill
(Corner Detail)



Universal Mount BKT-26.5
(Included)

26.5HD Specifications



System Type	Hybrid Coaxial, ribbon, woofer, 2.5-way full range loudspeaker
Driver Components	6" ribbon driver + 2 x 6.5" composite cone woofer (All Weather)
Frequency Range / Response	67Hz - 20kHz (-10db) 100hz – 20khz +/- 3db
Maximum SPL	115db Continuous, 121db Peak
System coverage	110-degree horizontal, 60-degree vertical (averaged from 1k to 8k)
Sensitivity, 2.83v/1 meter	95 dB
Power Handling	200W AES, 400W Program, 800W Peak
Recommended Amplifier Power	200 W - 800W (FTC) @ 4 Ohms
Rated Impedance	4 Ohms nominal
Crossover	Passive, custom 2.5 way
Input Connectors	NL4 Speakon / Screw terminal barrier strip
Enclosure	Extensively braced Baltic Birch sealed
Mounting (Included)	Multipurpose Yoke BKT-26.5
Dimensions, (H x W x D)	7.75" (19.7cm) x 24" (61cm) x 7" (17.8cm)
Weight, net / shipping	16Lbs (7.2kg) / 20.8Lbs (9.45kg)
Warranty	Limited 3-year warranty



26.5HD Directivity

