



# Immersive HD Model 12HDR-AW

## Description:

The 12HDR-AW is an all-weather high definition compact subwoofer, featuring a high power 12" long throw all weather low frequency transducer. The ported composite enclosure as well as all components are designed to withstand the harshest of environmental conditions in any permanent outdoor installation.

The Model 12HDR-AW Subwoofer delivers the punch, impact and clean tight bass necessary for outdoor installations. The perfect compliment to our Model 6.5HD Loudspeakers to deliver the ultimate in "High Definition" audio for any outdoor environment. Backyard landscapes, patio and pool areas will come alive with unparalleled clarity and detailed sound, engineered to give you years of listening satisfaction and pleasure.

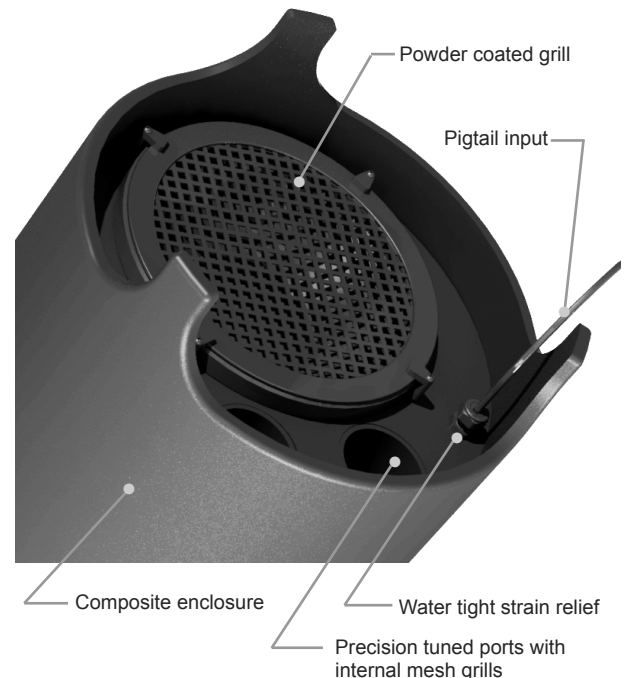
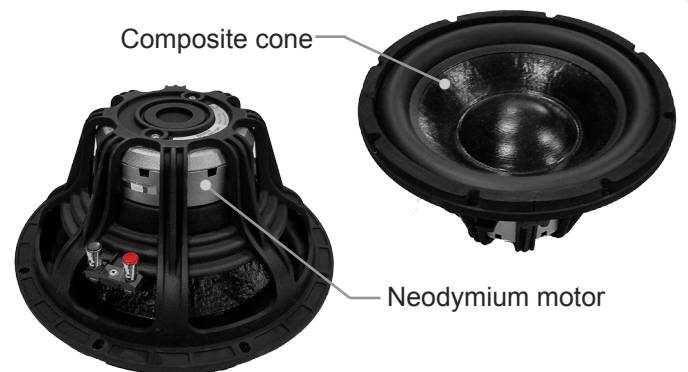


## Features:

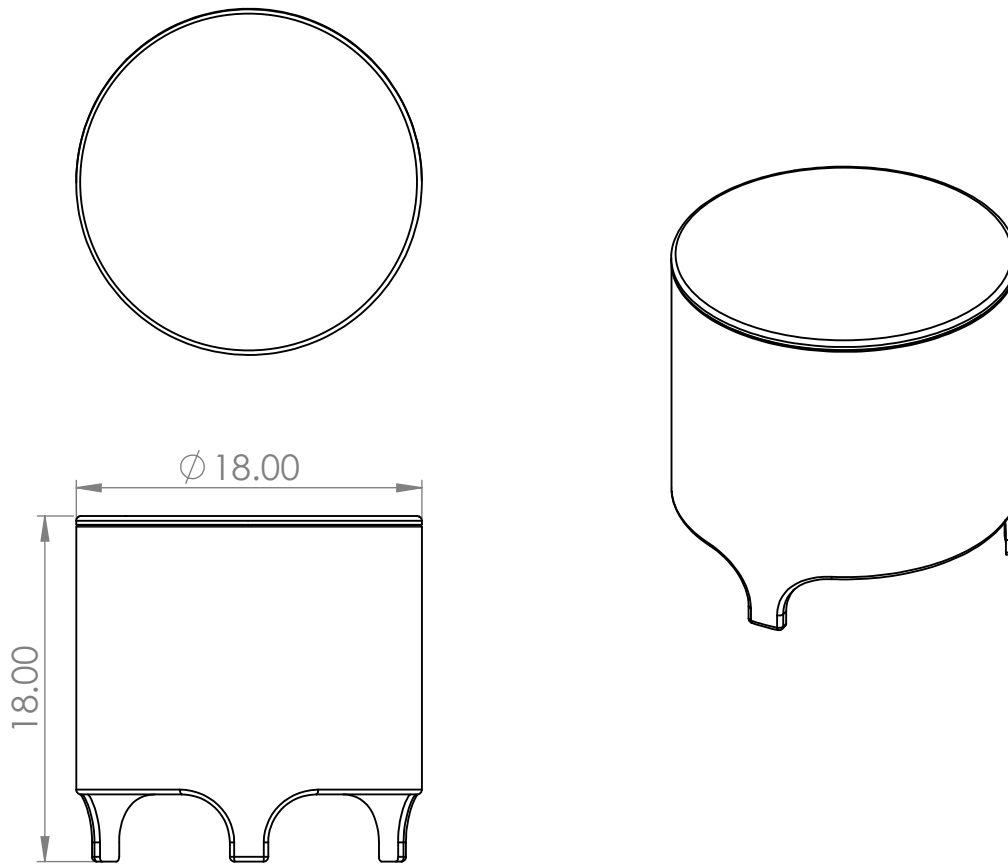
- All weather long throw woofer featuring a super stiff composite cone, large rubber surround, massive internal neodymium motor structure in a tuned, down firing enclosure
- All weather robust enclosure IP-26 per IEC529
- Cylindrical design reduces standing waves
- Included rubber feet for vibration and skid free operation on hard surfaces
- All stainless-steel hardware

## Applications:

- For any permanent outdoor installation
- Backyard landscapes, patio and pool areas
- Houses of Worship
- Performing Arts Theaters
- Athletic Facilities
- Convention Centers
- Theme Parks
- Museums
- Airports & Train Stations
- Challenging Acoustic Spaces
- Multi-Purpose Venues
- Audio, Video Production



# 12HDR-AW Specifications



System Type	Vented alignment subwoofer
Driver Components	All-weather 12" long throw woofer
Crossover	Recommended HPF= 30hz 12db per octave Butterworth
Frequency Response	33hz - 300hz (-10db) 41hz – 300hz (+/- 3db)
Maximum SPL	123db Continuous, 129db Peak
Sensitivity, 1m/2.83V	93 dB
Power Handling	1000W AES, 2000W Program, 4000W Peak
Recommended Amplifier Power	1000 W - 4000W @ 8 Ohms
Rated Impedance	8 Ohms
Input Connectors	24" x 12awg pigtail with water proof wire nuts
Enclosure	Ported composite
Dimensions, (H x W) inches (mm)	18" (45.7cm) x 18" (45.7cm)
Weight, net / shipping	54lbs (24.5kg) / 64 lbs (29kg)
Warranty	Limited 3-year warranty

