



Immersive HD 212HD Subwoofer



Horizontal or Vertical Positioning



Detail / Powdercoated Grill

212HD Description:

The 212HD is a high definition compact subwoofer, featuring two (2) high power 12" long throw, low frequency transducers. The uniquely braced 18mm Baltic Birch enclosure has been designed to achieve maximum extension and tight bass response.

212HD Features:

- All weather long throw woofers featuring a super stiff composite cone and large rubber surround in a tuned enclosure for massive amounts of clean tight bass
- Robust 18mm Baltic Birch enclosure
- Built in industry rated fly points
- Multi position (side, top, or bottom) rubber feet for vibration free surface placement
- All stainless-steel hardware

212HD-AW "All Weather" Outdoor

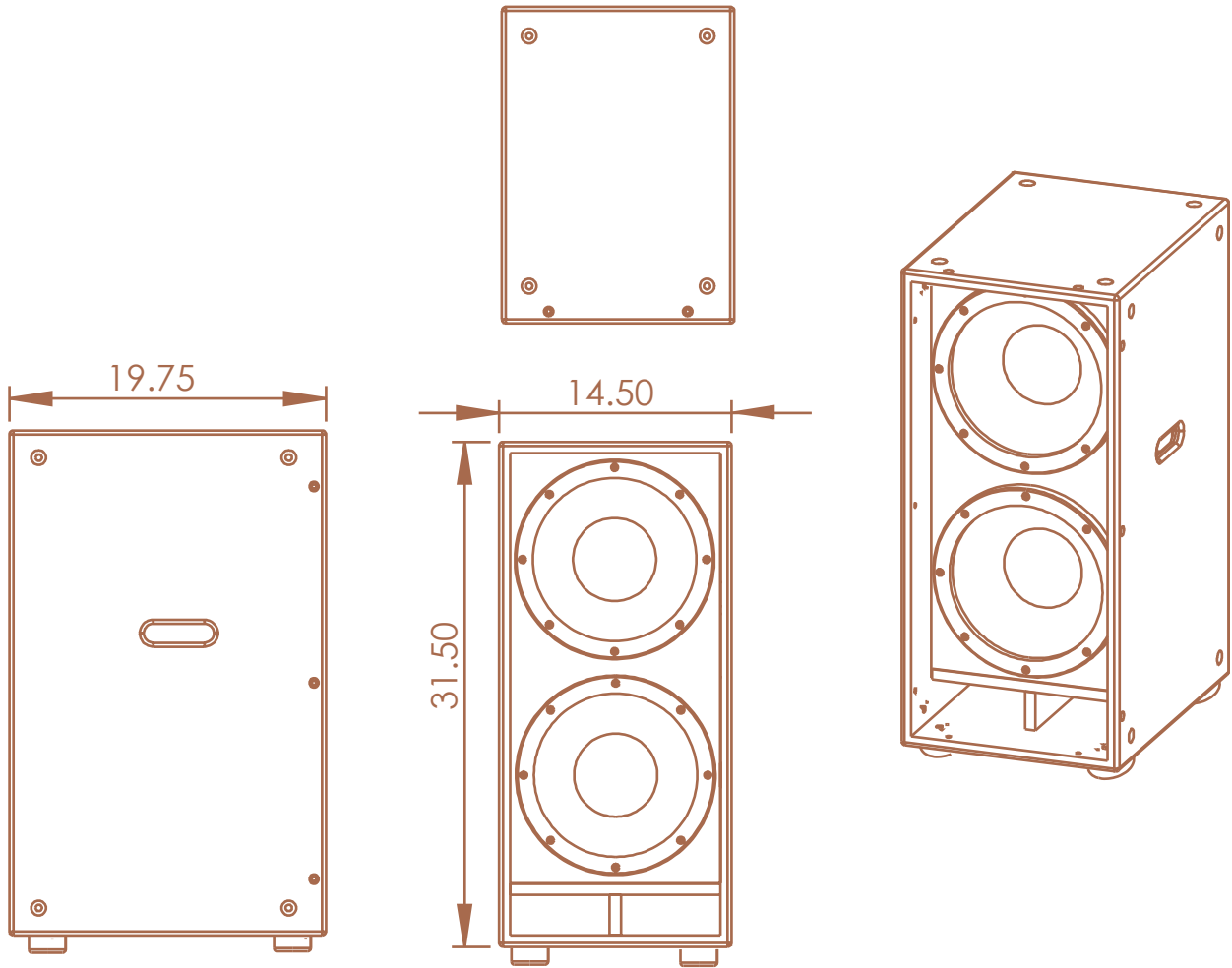
All weather enclosure, environmentally sealed inside and out is designed to withstand the harshest of environmental conditions in any outdoor installation.

Applications:

Perfect for installations in night clubs, live venues, houses of worship, performing arts theaters and more. The 212HD Compact Subwoofer delivers high-output, low frequency reinforcement when space is at a premium. Designed for portability as well as permanent installations with integrated 10mm fly points. Engineered to compliment our model 6.5HD loudspeakers and Line Array systems. Delivering punch, high impact and clean tight bass. The 212HD-AW for use in outdoor installations makes your backyard landscapes, patio and pool areas come alive with unparalleled audio quality and deliver years of satisfaction and listening pleasure.



Immersive HD 212HD Subwoofer



SPECIFICATIONS

System Type	Compact vented composite subwoofer
Driver Components	2 x All-Weather 12" long throw woofer
Crossover	Recommended LPF=80-120hz HPF=25hz
Frequency Response	30hz - 200Hz
Maximum SPL	130db Continuous, 136db Peak
Sensitivity, 1m/2.83V	99 dB
Power Handling	2000W AES, 4000W Program, 8000W Peak
Recommended Amplifier Power	2000 W - 8000 W @ 4 Ohms
Rated Impedance	4 Ohms
Input Connectors	Screw terminal barrier strip / 2 x NL4 Speakon connector
Enclosure	18mm Baltic Birch, ported (AW) All-Weather
Mounting Options	16 internal 10mm ATM fly points
Dimensions, (H x W x D) inches (cm)	31.5" (80.0cm) x 14.5" (36.8cm) x 19.75" (50.2cm)
Weight, net	97 Lbs (44kg)
Warranty	Limited 3-year warranty