



Immersive HD 12BP-IG Subwoofer



Model 12BP-IG Subwoofer

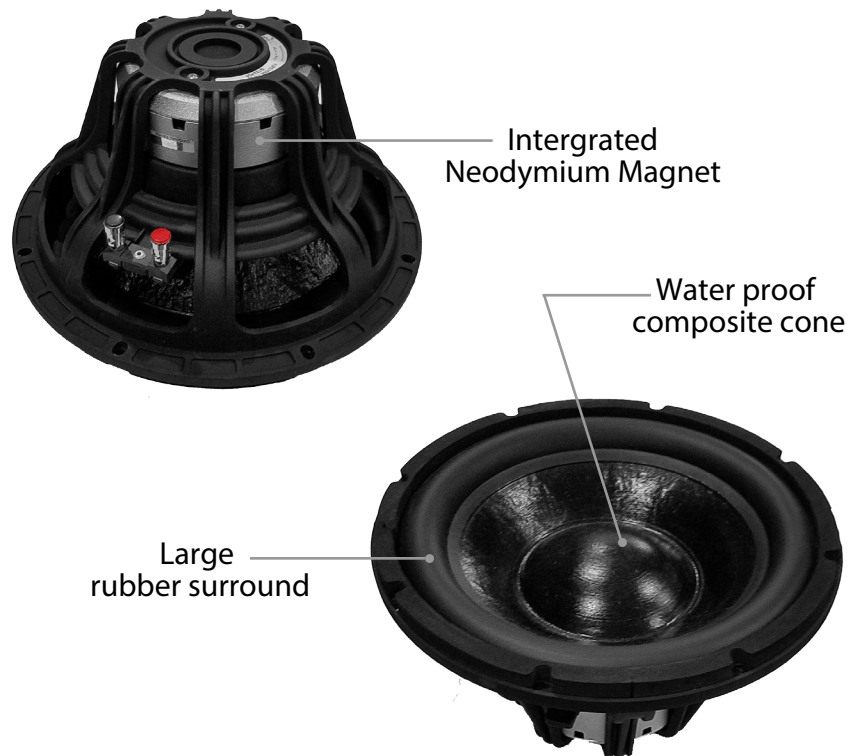
Description:

Model 12BP-IG (Patent Pending) is an all-weather, in-ground, compact subwoofer, featuring a high power 12" long throw all weather low frequency transducer in a unique Bandpass Parallel Double-Tuned design. The composite enclosure as well as all components are completely weather proof.

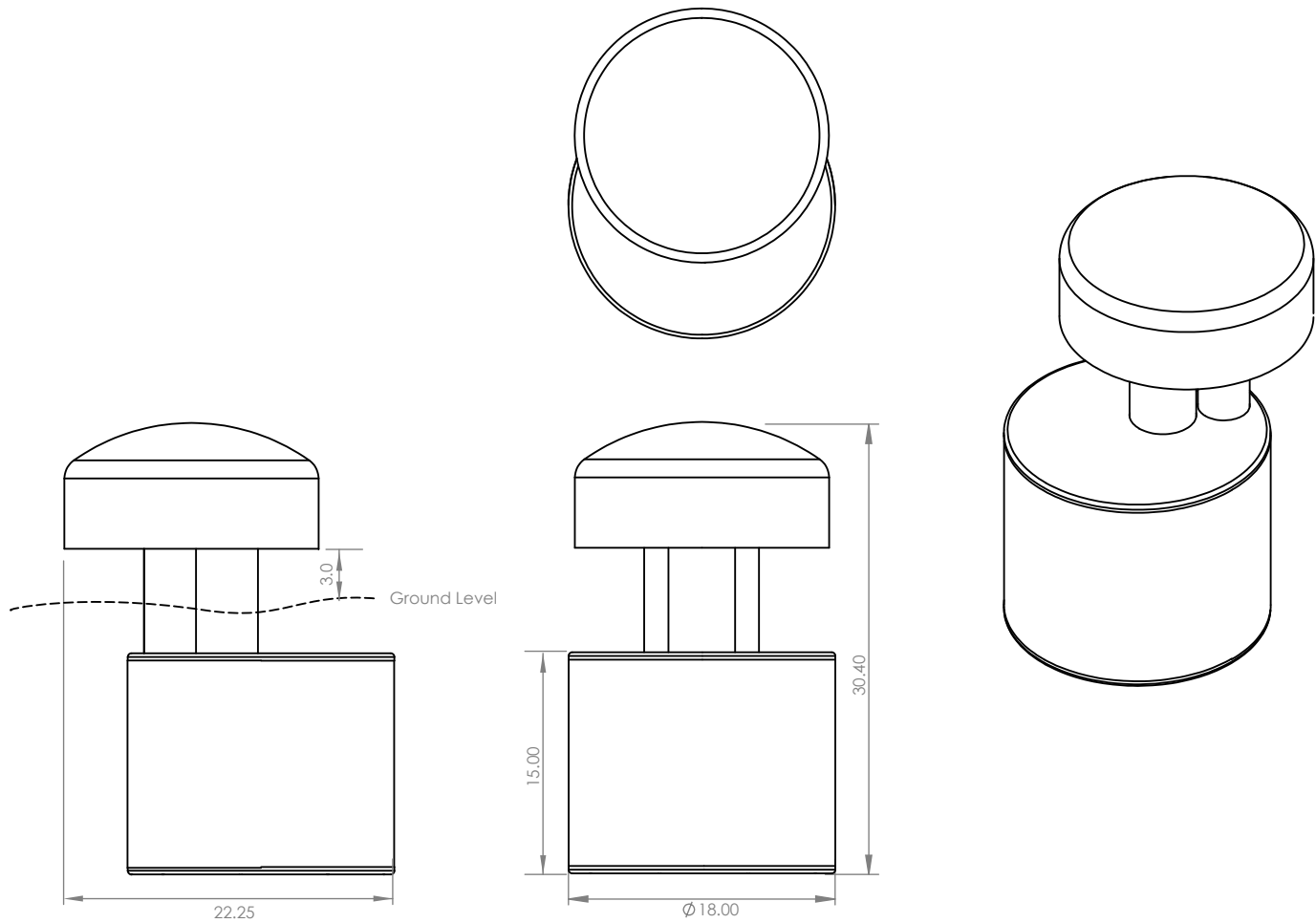
The Model 12BP-IG Subwoofer delivers the punch, impact and clean tight bass necessary for outdoor installations. The 12BP-IG is designed to be the perfect companion to our 6.5HD-AW-L high definition loudspeakers, delivering the ultimate in high output audio for any outdoor environment. Backyard landscapes, patio and pool areas will come alive with unparalleled clarity and detailed sound, engineered to give you years of listening satisfaction and pleasure.

Features:

- 12" band-pass in-ground sub-woofer
- Parallel Double-Tuned Port design
- 12" 1000w long throw woofer
- Water proof composite cone
- Large rubber surround
- Intergrated Neodymium Magnet
- 17" diameter metal canopy
- Composite sealed enclosure



12BP-IG Specifications



Specifications:

System Type	Bandpass parallel double tuned In-ground subwoofer
Driver Components	All-weather 12" long throw woofer
Crossover	Recommended HPF= 28hz 12db per octave Butterworth
Frequency Response	34hz - 140hz
Maximum SPL	123db Continuous, 129db Peak
Sensitivity, 1m/2.83V	93 dB
Power Handling	1000W AES, 4000W Peak
Rated Impedance	8 Ohms
Input Connectors	24" x 12awg pigtail with water proof wire-nuts
Enclosure	Composite In-Ground
Dimensions, (H x W x L) inches (mm)	30.4" (77.2cm) x 18" (45.7cm) x 22.25" (56.5cm)
Weight, net / shipping	68lbs (31kg) / 80lbs (36kg)
Warranty	Limited 3-year warranty

