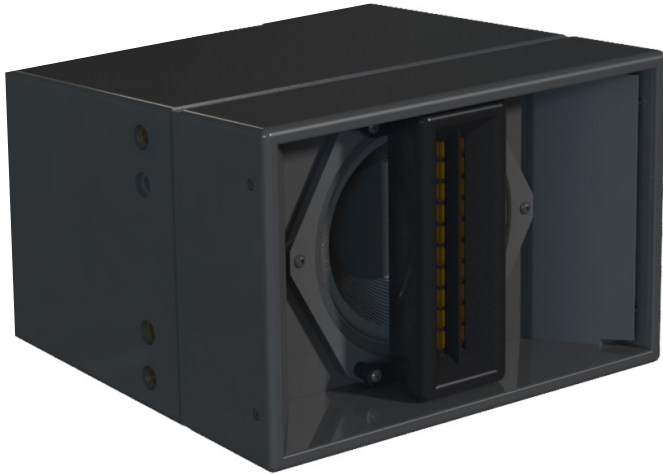




Immersive HD Model 6.5HDLA



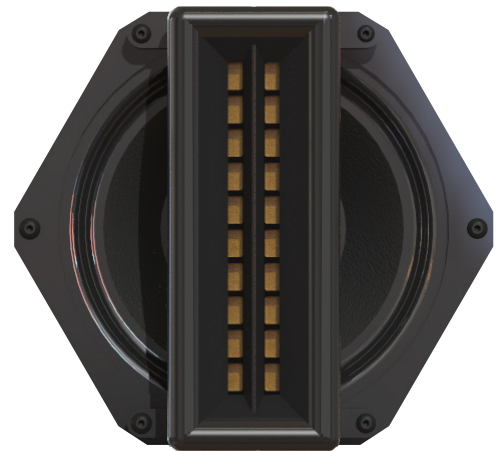
Description:

The 6.5HDLA is a high definition, ultra-high fidelity loudspeaker designed specifically for Immersive HD Line Arrays. Featuring a 6" Planar Magnetic Ribbon and a 6.5" woofer in a true coaxial configuration. The compact, trapezoidal enclosure has been designed with unique waveguides which deliver excellent dispersion and fidelity. Constructed of Baltic Birch with stiff internal bracing creating a colorless sonic enclosure.

The Model 6.5HDLA-AW features an all weather, molded composite enclosure with an "IP-65" rating,

Features:

- Ultra-fast transient response and higher instantaneous peak level for faithful signal reproduction and improved dynamic range
- Wide Horizontal dispersion for excellent stereo imaging and larger listening area
- Well controlled vertical dispersion reduces floor and ceiling reflections and yields longer listening distances
- Robust enclosure and components
- Unique woofer and ribbon wave guides for better dispersion and fidelity
- All stainless steel hardware and powder coated mounting brackets
- Trapezoidal form factor allows the 6.5HD to be used as a building block (module) for the ultimate high fidelity, high definition line arrays



True coaxial drivers produce a perfectly symmetrical coverage pattern and lower distortion due to the alignment's acoustic filter effect. Resulting in an evenly dispersed, audiophile-quality sound even at the highest output levels.

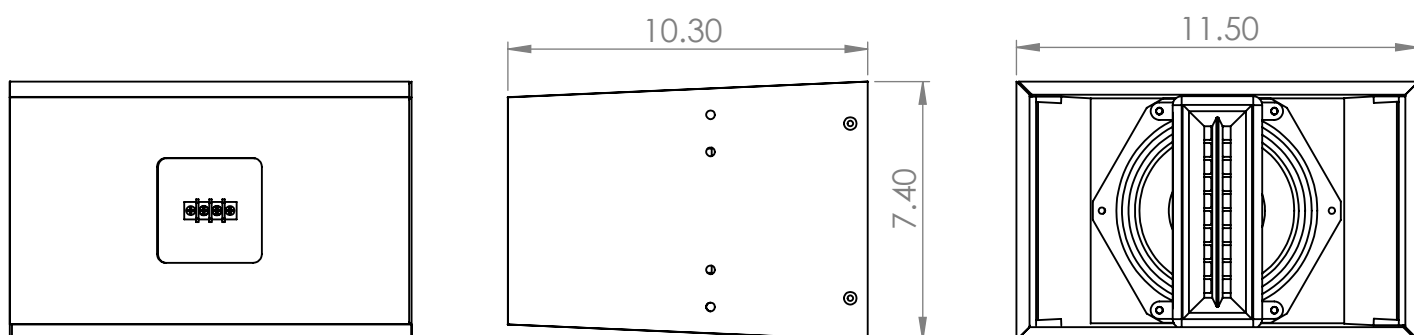
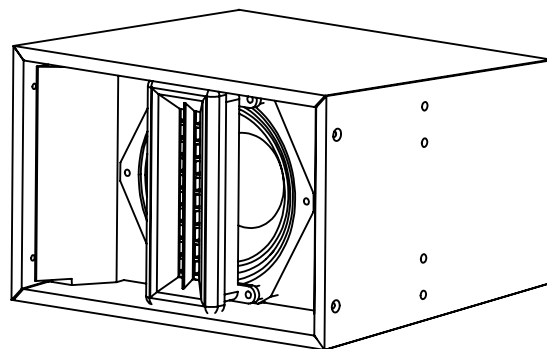
Applications:

- Houses of Worship
- Performing Arts Theaters
- Athletic Facilities
- Convention Centers
- Theme Parks
- Museums
- Airports & Train Stations
- Challenging Acoustic Spaces
- Multi-Purpose Venues
- Audio, Video Production



Barrier strip input

6.5HDLA Specifications



System Type	Hybrid Coaxial, ribbon, woofer, two-way, Line Array loudspeaker module
Driver Components	All-weather 6" ribbon driver + 6.5" composite cone woofer
Frequency Response	50 Hz - 20 kHz (-10db) 78hz – 20khz +/- 3db
Maximum SPL	113db Continuous, 119db Peak
System coverage	110 degree horizontal, 60-degree vertical (averaged from 1k to 8k)
Sensitivity, 1m/2.83V	93 dB
Power Handling	100W AES, 200W Program 400W Peak
Recommended Amplifier Power	100 W - 400W (FTC) @ 8 Ohms
Rated Impedance	8 Ohms nominal, 5.7 ohms min @ 160hz
Crossover	Passive, custom. Recommended HPF 50Hz, 24db Butterworth
Input Connectors	Screw terminal barrier strip
Enclosure 6.5HDLA	Extensively braced Baltic Birch sealed trapezoid
Enclosure 6.5HDLA-AW	All weather, molded composite enclosure with an "IP-65" rating,
Dimensions, (H x W x D)	7.4" (18.8cm) x 11.5" (29.21cm) x 10.3" (26.2cm)
6.5HDLA-AW	7.4" (18.8cm) x 11.5" (29.21cm) x 11.3" (28.7cm)
Weight, net / shipping	16Lbs (7.2kg) / 20.8Lbs (9.45kg)
6.5HDLA-AW	19.8Lbs (9.0kg) / 24.6Lbs (11.18kg)
Warranty	Limited 3-year warranty



6.5HDLA Directivity

