

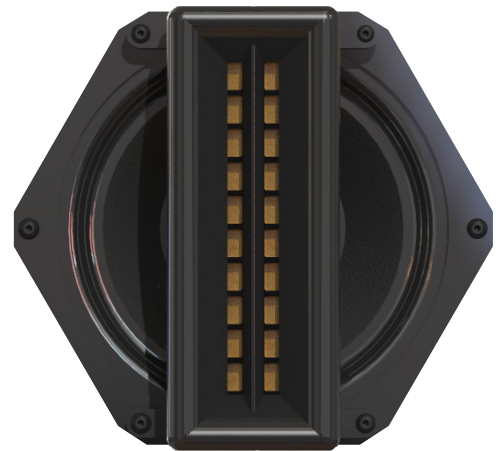


Immersive HD Model 6.5HD-AW-L



Description:

The 6.5HD-AW-L is a high definition, ultra-high fidelity full range loudspeaker featuring a 6" Planar Magnetic Ribbon and a 6.5" woofer in a true coaxial configuration. The compact, trapezoidal all weather, molded composite enclosure with an "IP-65" rating, has been designed with unique waveguides delivering excellent dispersion and fidelity.



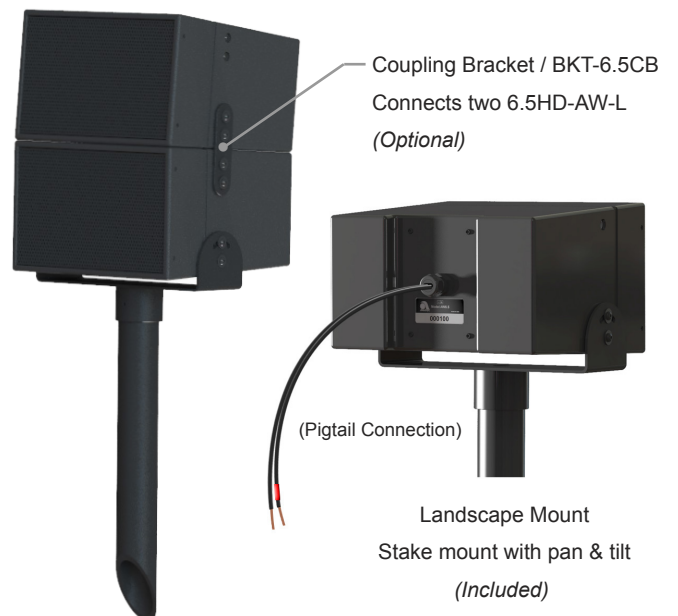
Features:

- Ultra-fast transient response and higher instantaneous peak level for faithful signal reproduction and improved dynamic range
- Wide Horizontal dispersion for excellent stereo imaging and larger listening area
- Well controlled vertical dispersion reduces floor and ceiling reflections and yields longer listening distances
- Robust, molded urethane composite enclosure for permanent outdoor installations
- All weather, water-proof drive components
- Unique woofer and ribbon wave guides for better dispersion and fidelity
- Galvaneal, powder coated steel grill with reticulated foam
- Stainless steel and powder coated hardware
- Trapezoidal form factor allows the 6.5HD-AW to be used as a building block (module) for the ultimate high fidelity, all weather, high definition line arrays

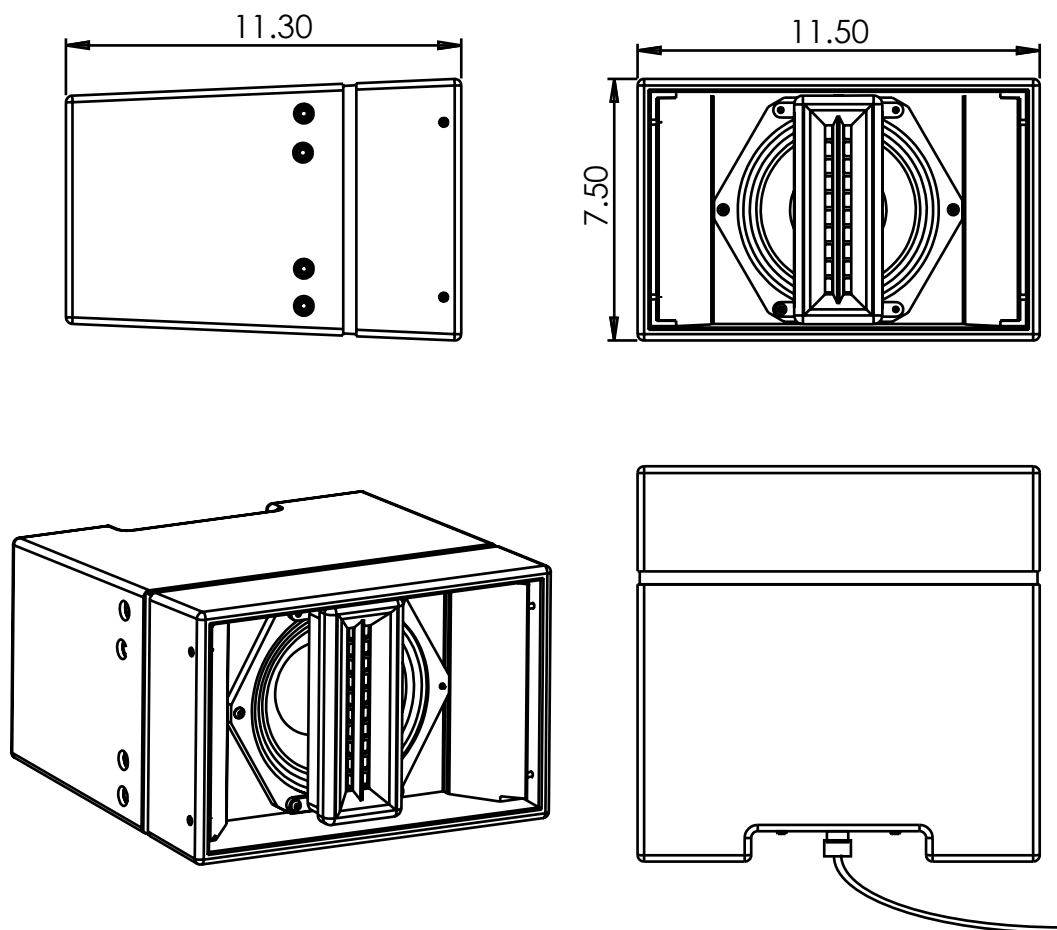
True coaxial drivers produce a perfectly symmetrical coverage pattern and lower distortion due to the alignment's acoustic filter effect. Resulting in an evenly dispersed, audiophile-quality sound even at the highest output levels.

Applications:

- Houses of Worship
- Performing Arts Theaters
- Athletic Facilities
- Convention Centers
- Theme Parks
- Museums
- Airports & Train Stations
- Challenging Acoustic Spaces
- Multi-Purpose Venues
- Audio, Video Production



6.5HD-AW-L Specifications



System Type	Hybrid Coaxial, ribbon, woofer, two-way full range loudspeaker
Driver Components	All-weather 6" ribbon driver + 6.5" composite cone woofer
Frequency Response	50 Hz - 20 kHz (-10db) 78hz – 20khz +/- 3db
Maximum SPL	109db Continuous, 115db Peak
System coverage	110 degree horizontal, 60-degree vertical (averaged from 1k to 8k)
Sensitivity, 1m/2.83V	89 dB
Power Handling	100W AES, 200W Program 400W Peak
Recommended Amplifier Power	100 W - 400W (FTC) @ 8 Ohms
Rated Impedance	8 Ohms nominal, 5.7 ohms min @ 160hz
Crossover	Passive, custom. Recommended HPF 45Hz, 12db Butterworth
Input Connectors	12ga x 2ft. Pigtail
Enclosure	All-weather, sealed trapezoid composite. IP-65 per IEC529
Mounting (Included)	Landscape Mount
Optional Accessories	Universal Mount BKT-6.5UB, Coupling Bracket BKT-6.5CB (Pair)
Dimensions, (H x W x D)	7.4" (18.8cm) x 11.5" (29.21cm) x 11.3" (28.7cm)
Weight, net / shipping	19.8Lbs (9kg) / 24.6Lbs (11.18kg)
Warranty	Limited 3-year warranty



6.5HD-AW-L Directivity

