



# Immersive HD Model 212HD-70V

## Description:

The 212HD-70V is a high definition compact subwoofer, featuring two (2) high power 12" long throw, low frequency transducers. The uniquely braced 18mm Baltic Birch enclosure has been designed to achieve maximum extension and tight bass response.

Built-in high-performance custom built 70 volt 300 watt toroid transformer with low insertion loss and linear response for use when long wire runs or distributed audio is a requirement.

The Model 212HD-70V Subwoofer has been designed for portability as well as permanent installations with integrated 3/8-16 fly points. Engineered to compliment our model 6.5HD loudspeakers and Line Array systems. Delivering punch, high impact clean tight bass.

Weatherized Finish for protected outdoor areas is available **Model 212HD-WF-70V**



Horizontal or Vertical Positioning

## Features:

- All weather long throw woofer featuring a super stiff composite cone, large rubber surround, massive internal neodymium motor structure in a vented enclosure
- 18mm Baltic Birch enclosure
- Built in industry rated 3/8-16 fly points
- Multi position (side, top, or bottom) rubber feet for vibration free surface placement (Included)
- Integrated handles for easy transport
- All stainless-steel hardware

## Applications:

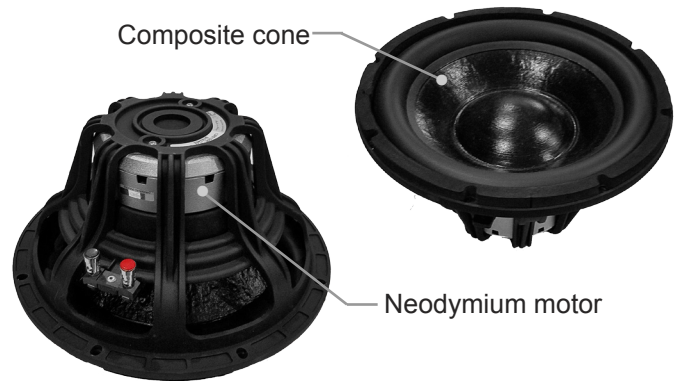
- Houses of Worship
- Performing Arts Theaters
- Athletic Facilities
- Convention Centers
- Theme Parks
- Museums
- Airports & Train Stations
- Challenging Acoustic Spaces
- Multi-Purpose Venues
- Audio, Video Production

The 212HD Compact Subwoofer delivers high-output, low frequency reinforcement when space is at a premium.

70 volt 300 watt custom toroid transformer



Composite cone

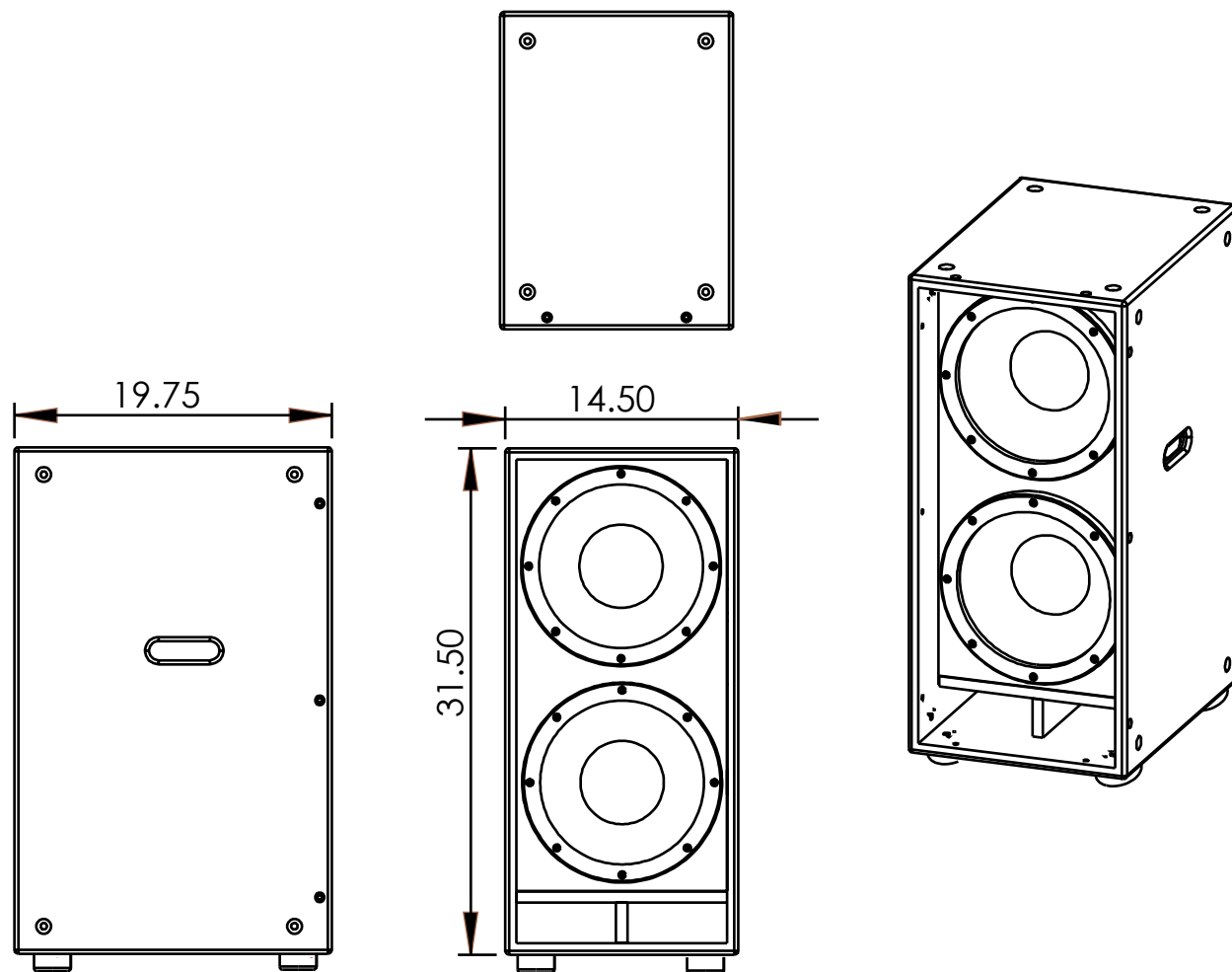


Neodymium motor



Detail / Powdercoated Grill

## 212HD-70V Specifications



System Type	Compact vented composite subwoofer
Driver Components	2 x All-Weather 12" long throw woofer
Crossover	Recommended HPF=35hz 12db per octave Butterworth
Frequency Response	32hz - 300hz (-10db) 41hz - 300hz (+/- 3db)
Maximum SPL	130db Continuous, 136db Peak
Sensitivity, 1m/2.83V	99 dB
Power Handling	2000W AES, 4000W Program, 8000W Peak
Recommended Amplifier Power	2000 W - 8000 W @ 4 Ohms
Rated Impedance	4 Ohms
Input Connectors	Screw terminal barrier strip / 2 x NL4 Speakon connector
Enclosure	18mm Baltic Birch, ported
Mounting	16 internal 3/8-16 fly points
Dimensions, (H x W x D) inches (cm)	31.5" (80.0cm) x 14.5" (36.8cm) x 19.75" (50.2cm)
Weight, net / shipping	91lbs (41.2kg) / 99 lbs (44.9kg)
Warranty	Limited 3-year warranty

