



# Immersive HD Model 112HD



## Features:

- All weather long throw woofer featuring a super stiff composite cone, large rubber surround, massive internal neodymium motor structure in a vented enclosure
- 18mm Baltic Birch enclosure
- Built in industry rated 3/8-16 fly points
- Multi position (side, top, or bottom) rubber feet for vibration free surface placement (Included)
- Integrated handles for easy transport
- All stainless-steel hardware

## Applications:

- Houses of Worship
- Performing Arts Theaters
- Athletic Facilities
- Convention Centers
- Theme Parks
- Museums
- Airports & Train Stations
- Challenging Acoustic Spaces
- Multi-Purpose Venues
- Audio, Video Production

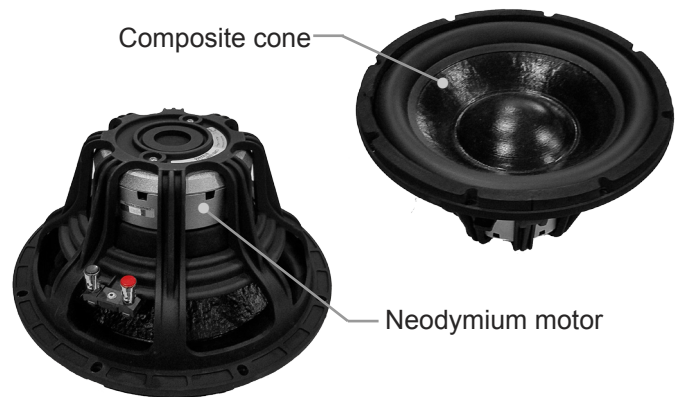
The 112HD Compact Subwoofer delivers high-output, low frequency reinforcement when space is at a premium.

## Description:

The 112HD is a high definition compact subwoofer, featuring a high power 12" long throw, low frequency transducers. The uniquely braced 18mm Baltic Birch enclosure has been designed to achieve maximum extension and tight bass response.

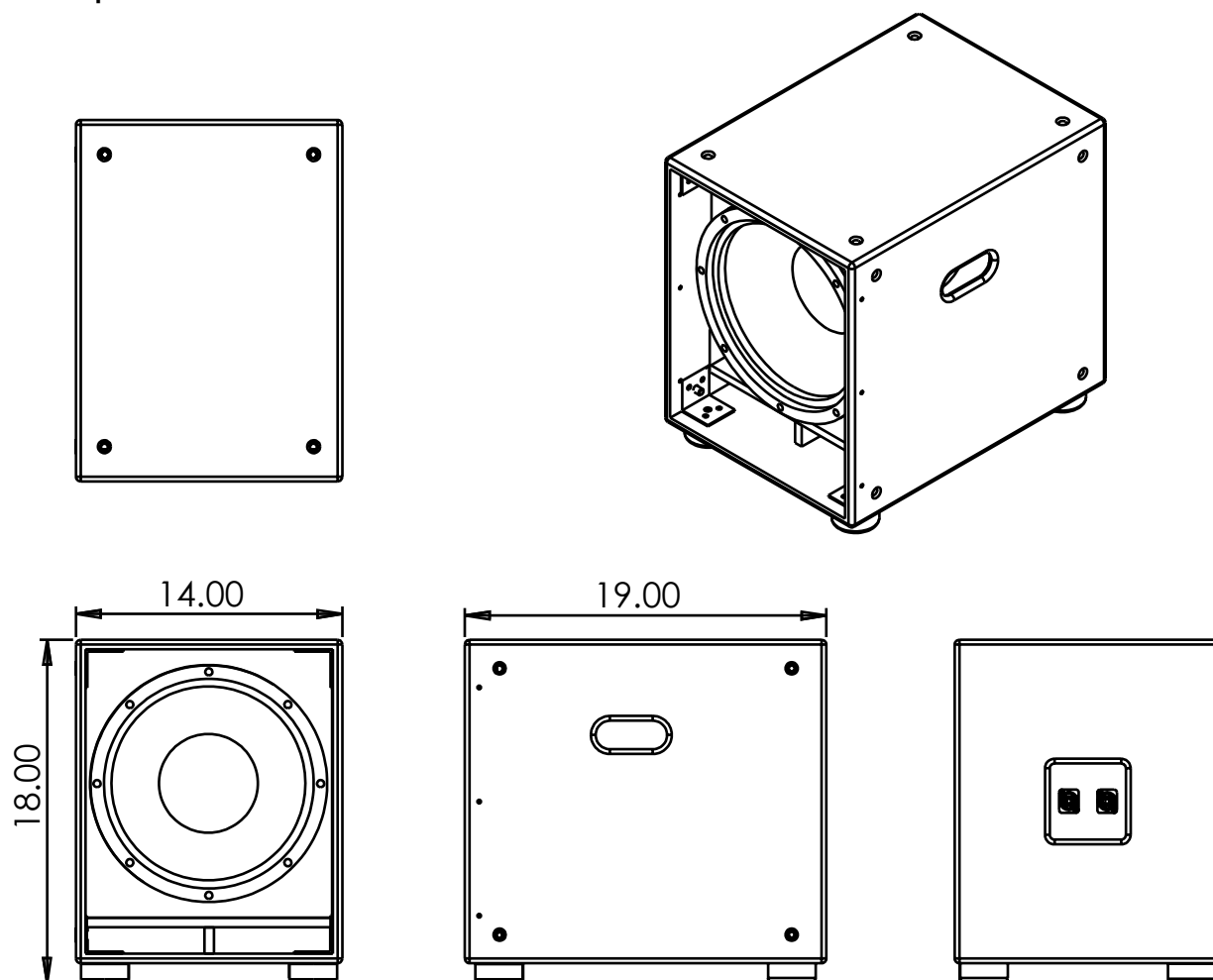
The Model 112HD Subwoofer has been designed for portability as well as permanent installations with integrated 3/8-16 fly points. Engineered to compliment our model 6.5HD loudspeakers and Line Array systems. Delivering punch, high impact clean tight bass.

Weatherized Finish for protected outdoor areas is available **Model 112HD-WF**



Detail / Powdercoated Grill

# 112HD Specifications



System Type	Vented alignment subwoofer
Driver Components	All-weather 12" long throw woofer
Crossover	Recommended HPF= 30hz 12db per octave Butterworth
Frequency Response	33hz - 300hz (-10db) 41hz – 300hz (+/- 3db)
Maximum SPL	123db Continuous, 129db Peak
Sensitivity, 1m/2.83V	93 dB
Power Handling	1000W AES, 2000W Program, 4000W Peak
Recommended Amplifier Power	1000 W - 4000W @ 8 Ohms
Rated Impedance	8 Ohms
Input Connectors	Screw terminal barrier strip / 2 x NL4 Speakon connector
Enclosure	18mm Baltic Birch, ported
Mounting	16 internal 3/8-16 fly points
Dimensions, (H x W) inches (mm)	18" (45.7cm) x 14" (35.6cm) x 19" (48.3cm)
Weight, net / shipping	55 lbs (25kg) / 61 lbs (27.6kg)
Warranty	Limited 3-year warranty

